

# delta

performance

delta performance  
ventouse FV

EN *INSTALLATION OPERATING AND  
SERVICING INSTRUCTIONS*

FR *NOTICE D'INSTALLATION,  
D'UTILISATION ET D'ENTRETIEN*

NL *GEBRUIKSHANDLEIDING EN  
INSTALLATIEVOORSCHRIFT*



*excellence in hot water*

---

**EN**    **INSTALLATION OPERATING AND SERVICING INSTRUCTIONS**    **1**

**delta** FV 35    : With ACV BMV1 oil burner

**delta** FV 50    : With ACV BMV2 oil burner

---

**FR**    **NOTICE D'INSTALLATION, D'UTILISATION ET D'ENTRETIEN**    **13**

**delta** FV 35    : Avec brûleur fioul ACV BMV1

**delta** FV 50    : Avec brûleur fioul ACV BMV2

---

**NL**    **GEBRUIKSHANDLEIDING EN INSTALATIEVOORSCHRIFT**    **25**

**delta** FV 35    : Met fuel brander ACV BMV1

**delta** FV 50    : Met fuel brander ACV BMV2

---

**ES**    **NOTICIAS DE INSTALACIÓN, UTILIZACIÓN Y MANTENIMIENTO**    **37**

**delta** FV 35    : Con quemador de gasoil ACV BMV1

**delta** FV 50    : Con quemador de gasoil ACV BMV2

---

**IT**    **ISTRUZIONI DELL' INSTALLAZIONE, DELL' USO E DI MANUTENZIONE**    **49**

**delta** FV 35    : Con bruciatore a gasolio ACV BMV1

**delta** FV 50    : Con bruciatore a gasolio ACV BMV2

---

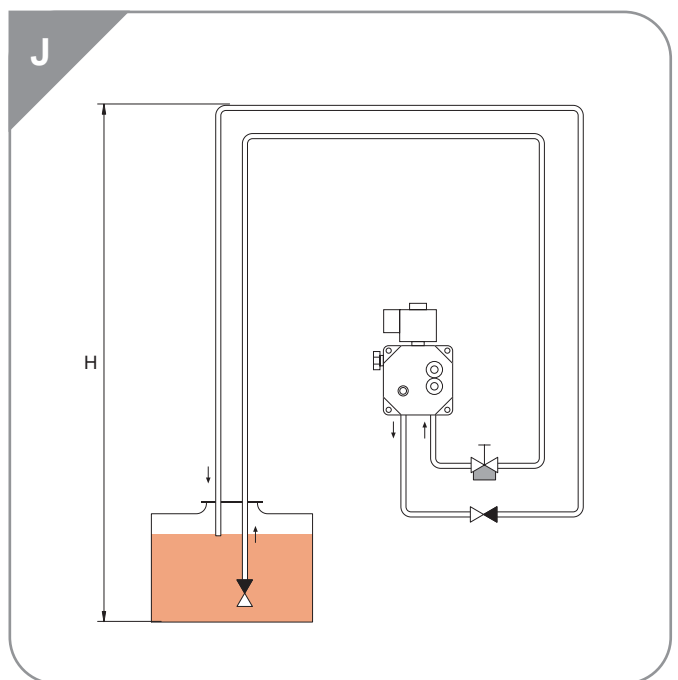
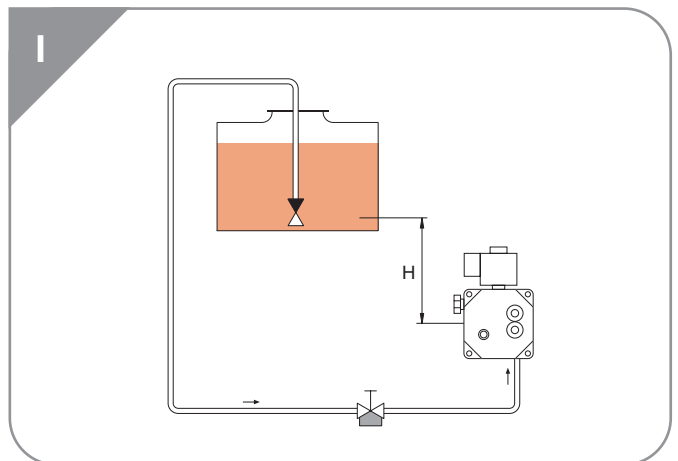
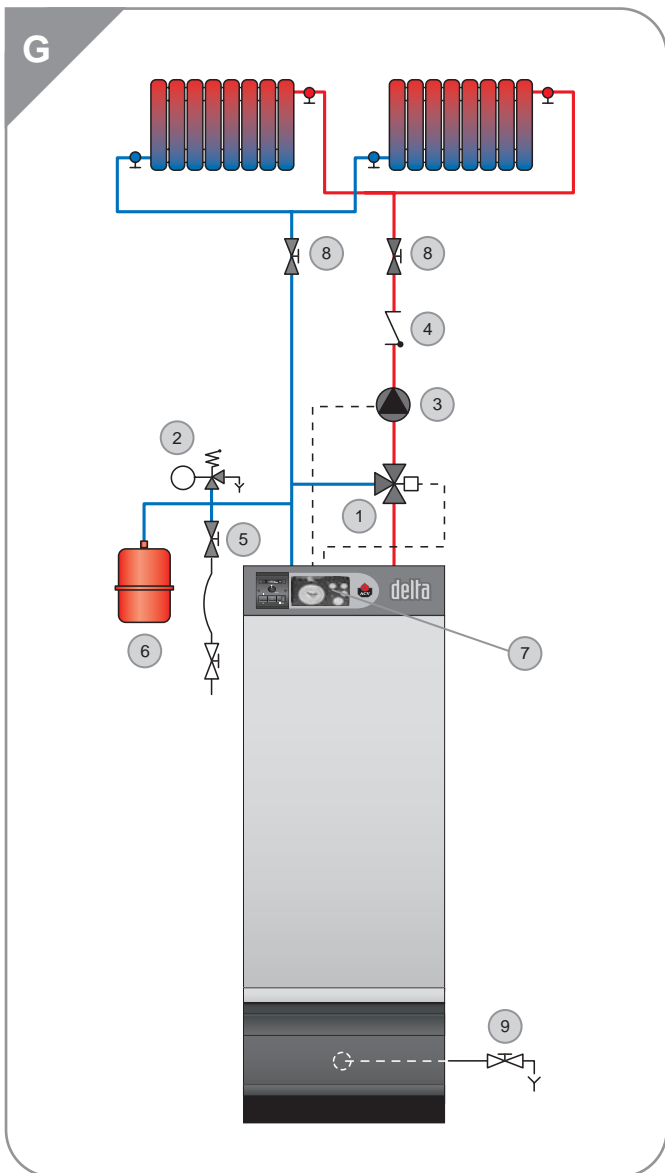
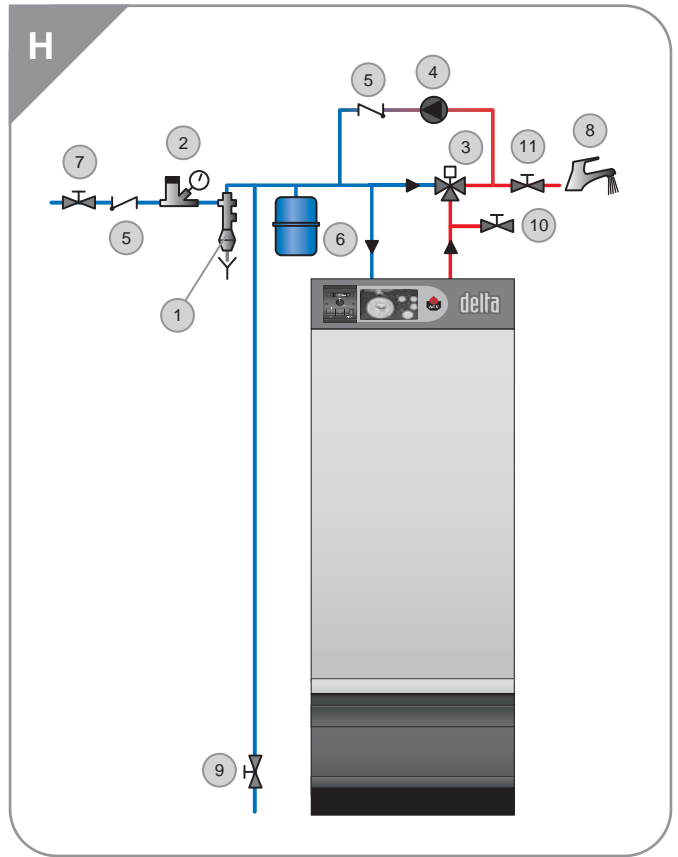
**DE**    **ANLEITUNG ZUR INSTALLATION, GEBRAUCH UND WARTUNG**    **61**

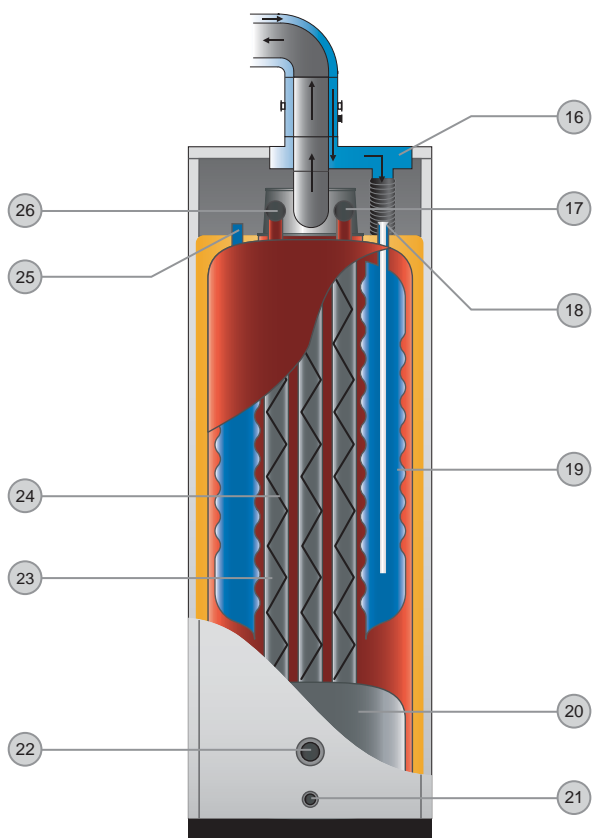
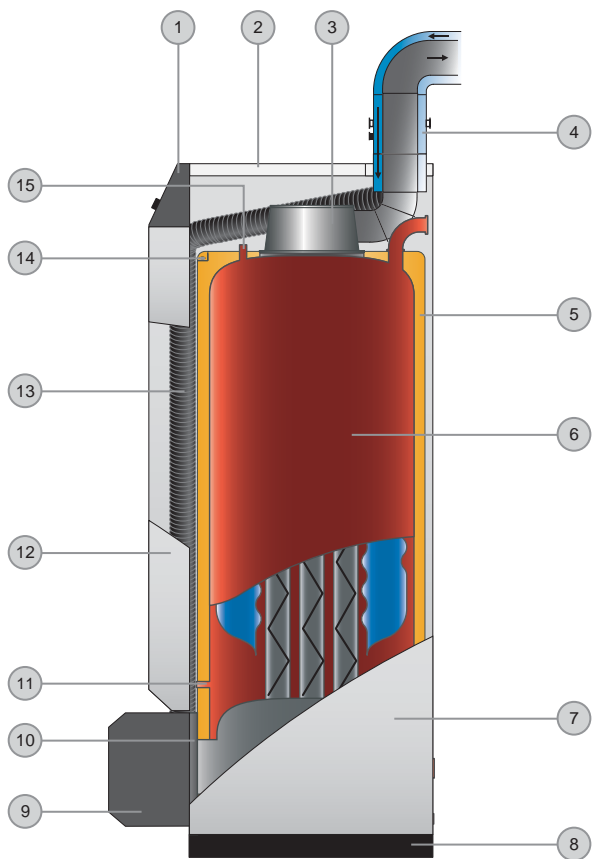
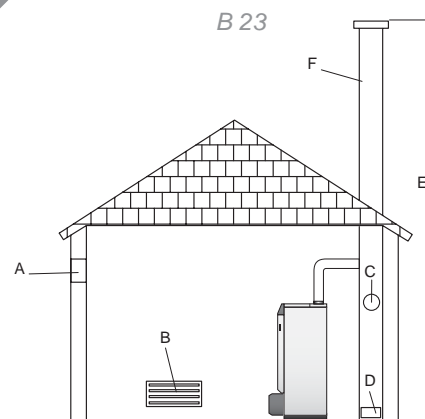
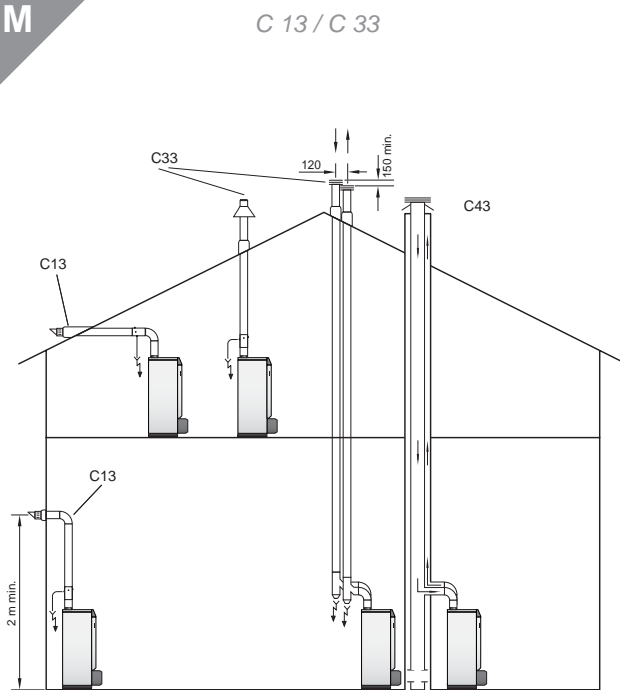
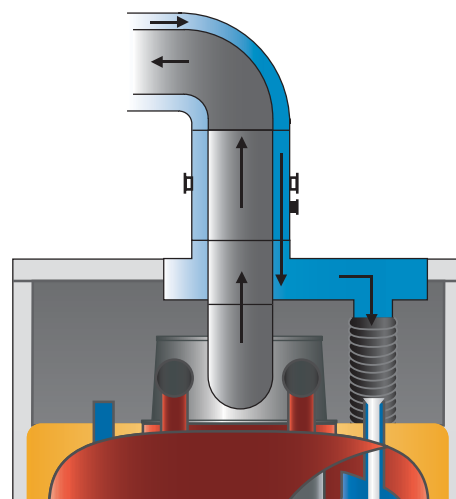
**delta** FV 35    : Mit Ölbrenner ACV BMV1

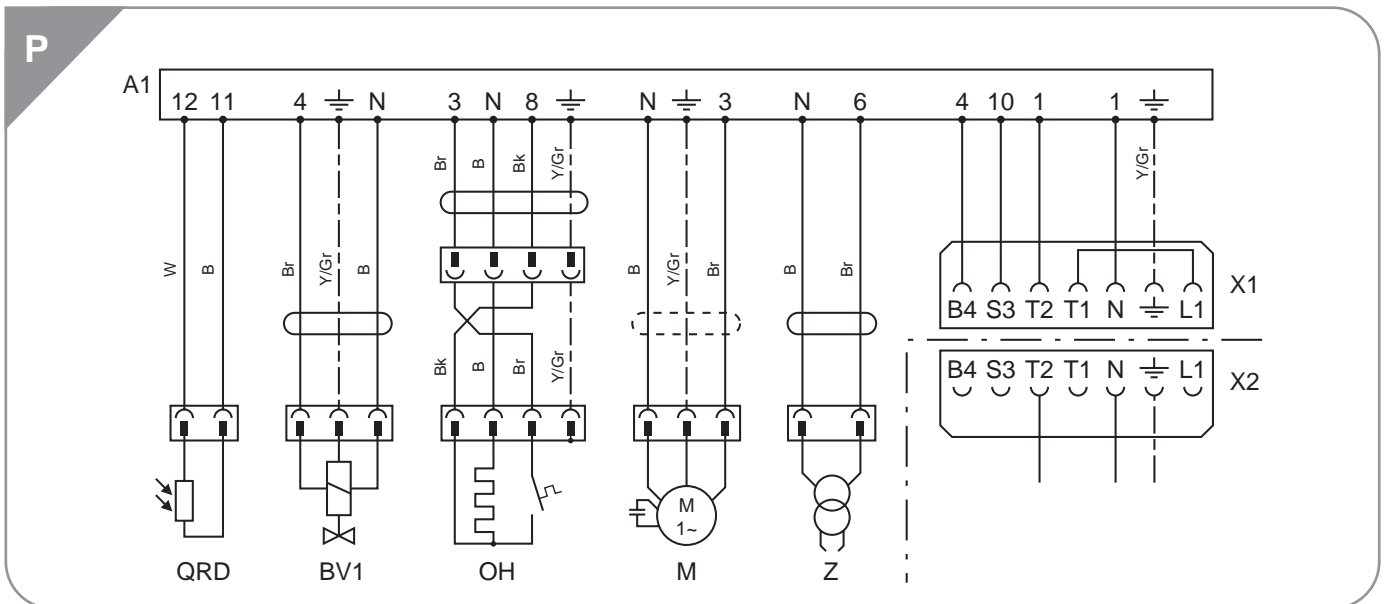
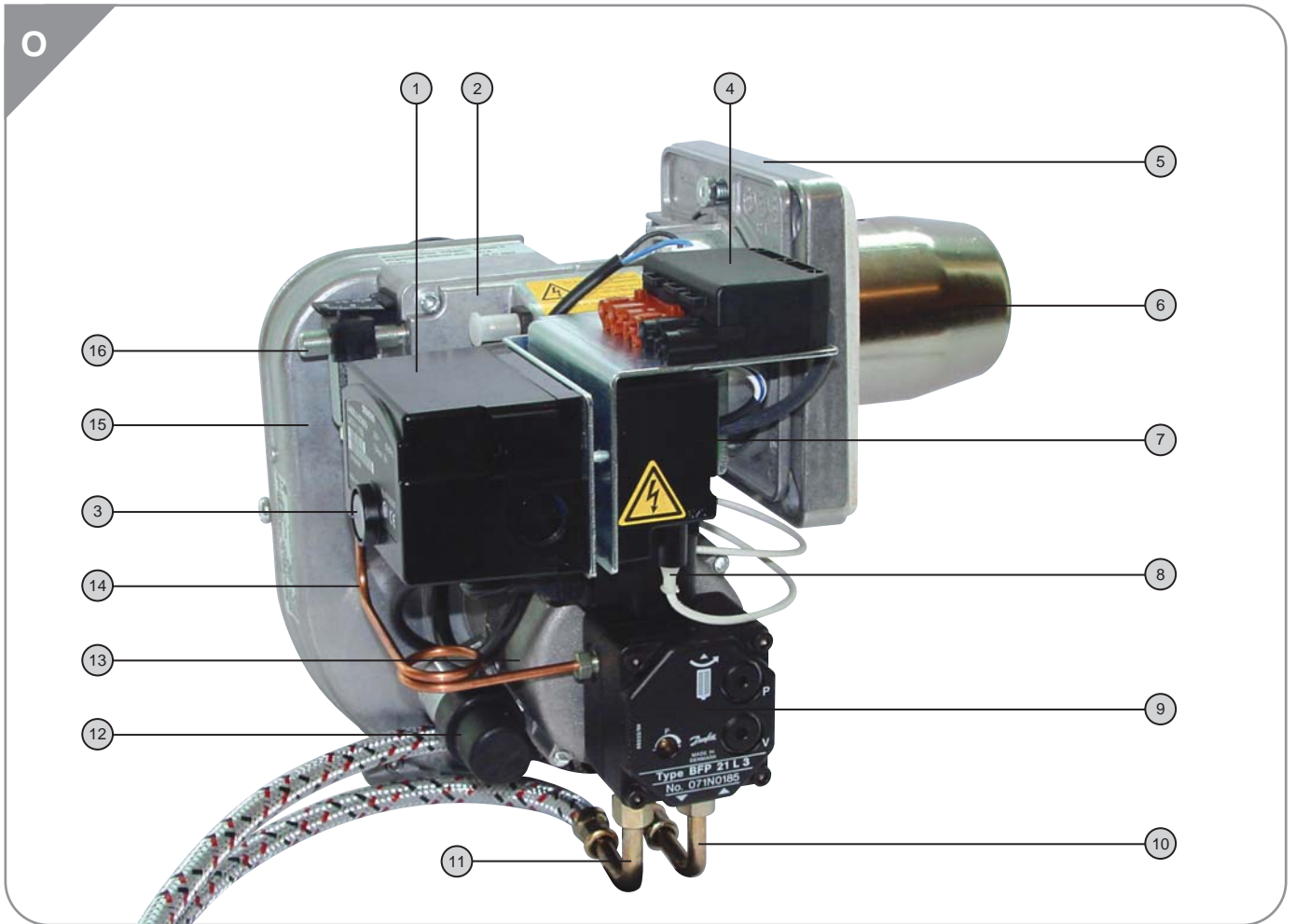
**delta** FV 50    : Mit Ölbrenner ACV BMV2







**K****L****M****N**



# INSTALLATION, OPERATING AND SERVICING INSTRUCTIONS

**delta** performance  
balanced flue

**FV 35  
with ACV  
BMV(K)1  
oil burner**

**FV 50  
with ACV  
BMV(K)2  
oil burner**



<b>INTRODUCTION</b>	<b>2</b>
Intended users of these instructions	2
Symbols	2
Applicable standards	2
Warnings	2
<b>DESCRIPTION</b>	<b>3</b>
Overview	3
Description of operation	3
Construction features	3
Boiler captions	3
<b>TECHNICAL SPECIFICATION</b>	<b>4</b>
General	4
Maximum operating conditions	4
Dimensions	4
Domestic hot water performance	5
General features	5
<b>INSTALLATION</b>	<b>6</b>
Boiler room	6
Chimney connections	6
Heating connections	7
Hot water connections	7
Controller kits	7
Electrical connection	8
Oil supply	8
<b>BURNER FEATURES</b>	<b>9</b>
ACV BMV1 and BMV2 oil burners	9
ACV BMV1 and BMV2 burner factory settings	9
ACV BMV1 and BMV2 burner captions	9
<b>STARTUP</b>	<b>10</b>
Filling the hot water and heating circuits	10
Commissioning ACV BMV1 and BMV2 burners	10
<b>SERVICING</b>	<b>10</b>
Recommendation	10
Servicing the boiler	10
Servicing the safety devices	10
Servicing the burner	10
Emptying the boiler	10
<b>USER GUIDE</b>	<b>11</b>
Using the boiler	11
Resetting ACV BMV1 and BMV2 burners	12

**INTENDED USERS OF THESE INSTRUCTIONS**

These instructions are intended for:

- specifying engineers
- installing engineers
- users
- servicing technicians

**SYMBOLS**

The following symbols are used in these instructions:



**Essential instruction for operating the system correctly.**



**Essential instruction for personal safety and environmental protection.**



**Danger of electrocution.**



**Risk of burns.**

**APPLICABLE STANDARDS**

The products have received the "CE" certificate of compliance with standards of individual countries (European Directive 92/42/EEC, "efficiency"). These products also have the Belgian OPTIMAZ mark.



**WARNINGS**

These instructions are an integral part of the equipment to which they refer and must be supplied to the user.

The product must be installed and serviced by qualified heating engineers, in compliance with the prevailing standards.

ACV accepts no liability for any damage resulting from incorrect installation or from the use of components or fittings not specified by ACV.



**Failure to observe instructions regarding tests and test procedures can result in personal injury or pollution risks.**

*Note:*

*ACV reserves the right to modify the technical specifications and components of its products without prior notice.*



## OVERVIEW

- Combination boiler (*central heating and domestic hot water*).
- TANK-IN-TANK indirect storage type domestic hot water production.
- Equipment required: a hydraulic connection kit for the heating circuit (available as an option).
- The control panel comprises an on/off switch, adjustable thermostat, thermometer, Summer/Winter selector and knockout for fitting the ACV integrated control system (*optional*).
- The Delta Performance FV can be connected as a balanced flue system with a type C concentric adapter..., or with a type B23 adapter directly to the chimney.
- The Delta Performance FV 35 with a fixed output of 35 is fitted with the ACV BMV1 oil burner.
- The Delta Performance FV 50 with a fixed output of 50 is fitted with the ACV BMV2 oil burner.

## DESCRIPTION OF OPERATION

### The "Tank-in-Tank" concept

The Delta Performance balanced flue series differs from traditional hot water generators because of its ring-shaped tank immersed in the primary fluid contained in the outer body. When there is a demand for heat from the central heating system or the domestic hot water system, the potentiometer starts the burner. The combustion gases quickly heat up the primary fluid, creating a natural circulation around the tank.

### Domestic hot water heated indirectly

This circulation facilitates heat exchange between the primary fluid and the domestic water, which takes place all over the tank surface. The corrugations on the inner and outer shells of the ring-shaped tank further boost the area of heat exchange and speed up the heating process of the domestic water.

### Easy setting with safety assured

With a single command, the water temperature of both the primary circuit and the hot water circuit is set by the adjustable thermostat situated under the tank in the primary circuit.

A cut-off thermostat, placed on top of the boiler, automatically cuts out the burner when the water temperature in the primary circuit reaches 95 °C. A manually reset safety thermostat shuts off the burner if the temperature reaches 103 °C.

## CONSTRUCTION FEATURES

### Corps externe

The outer body containing the primary fluid is made of thick STW 22 steel.

### "Tank-in-Tank" type exchanger accumulator

The ring-shaped inner tank with its large heating surface for producing domestic hot water is built of Chrome/Nickel 18/10 stainless steel. It is corrugated over its full height by an exclusive production process and entirely argon arc welded by the TIG (Tungsten Inert Gas) method.

### Combustion gas circuit

The combustion gas circuit is protected by a high temperature resistant paint. It is composed of:

- Flue pipes. Delta Performance balanced flue models have 8 steel flue pipes with an internal diameter of 64 mm. Each pipe is fitted with a special steel baffle designed to improve heat exchange and reduce flue gas temperature.
- Combustion chamber. The sealed combustion chamber is water cooled.

### Insulation

The boiler body is fully insulated by rigid polyurethane foam with a high thermal insulation coefficient, sprayed on without the use of CFCs.

### Jacket

The boiler is covered by a steel jacket which has been scoured and phosphated before being stove enamelled at 220 °C.

## BOILER CAPTIONS (*see illustration K*)

1. Control panel
2. Removable jacket top
3. Flue reduction collar
4. Measuring unit
5. CFC-free polyurethane foam insulation
6. Inner ring-shaped domestic hot water tank
7. Side panel
8. Base
9. Burner and burner chamber plate cover
10. Burner chamber plate
11. Control thermostat bulb
12. Removable front panel
13. Tube supplying air to venturi
14. Manual reset safety thermostat - 103 °C
15. Cut-off thermostat bulb - 95 °C
16. Balanced flue connection unit
17. Heating return
18. Domestic cold water inlet
19. Inner ring-shaped domestic hot water tank
20. Combustion chamber
21. Boiler drain
22. Lower heating return
23. Flue pipes
24. Turbulators
25. Domestic hot water outlet
26. Central heating flow pipe

# TECHNICAL SPECIFICATION

## GENERALE

The units are delivered fully assembled, tested and packed on a timber base with shockproof edges and protected by heat-shrunk plastic film. On reception and after unpacking, check the equipment for damage. For transport purposes, refer to the weights and dimensions given below.

## MAXIMUM OPERATING CONDITIONS

### Maximum service pressure *(tank full of water)*

- Primary circuit: 3 bar
- Secondary circuit: 10 bar

### Test pressure *(tank full of water)*

- Primary circuit: 4.5 bar
- Secondary circuit: 13 bar

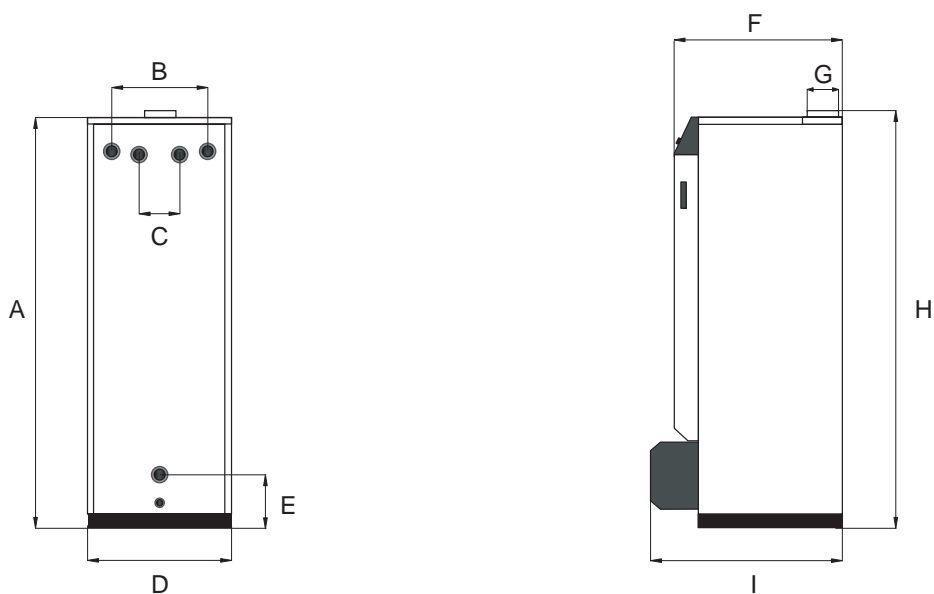
### Operating temperature

- Maximum temperature: 90 °C

### Water quality

- Chlorides: < 150 mg/l (Stainless steel 304)  
< 2000 mg/l (Duplex)
- 6 □ pH □ 8

## DIMENSIONS



		FV/35	FV/50
A	mm	1585	1830
B	mm	390	390
C	mm	200	200
D	mm	542	542
E	mm	125	125
F	mm	645	645
G	mm	80/80/125	100/100/150
H	mm	1610	1880
I	mm	800	800
Weight empty	Kg	182	220

**DOMESTIC HOT WATER PERFORMANCE**

		<b>FV/35</b>	<b>FV/50</b>
<b>Operating at 80 °C</b>			
Peak delivery at 40 °C ( $\Delta T = 30$ °C)	<b>L/10'</b>	283	377
Peak delivery at 40 °C ( $\Delta T = 30$ °C)	<b>L/60'</b>	1024	1485
Continuous delivery at 40 °C ( $\Delta T = 30$ °C)	<b>L/h</b>	920	1352
<b>Tank refill time at 60 °C</b>			
Initial heating time	<b>minutes</b>	20	13
After drawing off 140 L at 45° C	<b>minutes</b>	10	8

**GENERAL FEATURES**

		<b>FV/35</b>	<b>FV/50</b>
Input	<b>L/10'</b>	34.9	50
Output	<b>L/60'</b>	32.62	46.75
Maintenance loss at 60 °C as % of rated value	<b>%</b>	0.8/0.7	0.6/0.45
Total capacity	<b>L</b>	127	162
Primary capacity	<b>L</b>	62	82
Heating connection	<b>Ø</b>	1"	1"
Domestic hot water connection	<b>Ø</b>	3/4"	3/4"
Hot water tank heat exchange surface	<b>m<sup>2</sup></b>	1.99	2.46
Combustion efficiency	<b>%</b>	94.7	93.5
Average CO <sub>2</sub>	<b>%</b>	13	13
Mass rate of combustion products	<b>g/sec.</b>	14.8	21.2

# INSTALLATION

## BOILER ROOM

### Important

- Keep vents free at all times.
- Do not store inflammable products in the boiler room.
- Take care not to store corrosive products near the boiler, such as paints, solvents, chlorine, salt, soap and other cleaning products.

### Access

The boiler room must be large enough to allow good access to the boiler. The following minimum distances (mm) are required around the boiler:

- front	500
- behind	150
- sides	100
- above	700

### Ventilation

The boiler room must be fitted with top and bottom vents as shown in illustration "L".

The table below is an example compliant with the Belgian standard.

		FV/35	FV/50
<b>Ventilation</b>			
Min. fresh air requirement	m <sup>3</sup> /h	63	90
Top vent (A)	dm <sup>2</sup>	1.5	1.5
Bottom vent (B)	dm <sup>2</sup>	1.5	2
Draught regulator (C)	∅	80	100

### Note:

(B) and (C) only for B23 type connections

For other countries, refer to their regulations.

### Base

The base on which the boiler rests must be made of noncombustible materials.

## CHIMNEY CONNECTIONS



### IMPORTANT

Boilers must be installed by a qualified heating engineer, in accordance with the prevailing local standards and regulations.



The chimney diameter must not be less than the diameter of the boiler connection.

### Chimney connection type: B23 (See illustration L)

The boiler is connected to the chimney by a metal pipe rising at an angle from the boiler to the chimney.

### A chimney connection is required

- Top vent
- Bottom vent
- Draught regulator
- Inspection cover
- Chimney height
- Chimney diameter

		FV/35	FV/50
<b>Chimney</b>			
E = 5 m ∅ min. F	mm	213	236
E = 10 m ∅ min. F	mm	179	199
E = 15 m ∅ min. F	mm	162	179



### Note:

Since the regulations vary from one country to another, the table above is given for information only.



Due to the high efficiency of our boilers, the flue gases are released at high temperature.

Therefore there is a risk of condensation in these flue gases, which could damage some chimneys.

To avoid this risk, it is strongly recommended to line the chimney.

Contact your installer for more information.

### Chimney connection type: C...

(see illustrations M and N)

- C 13 : concentric horizontal connection
- C 33 : concentric vertical connection
- C 43 : Concentric chimney connection

**Maximum length for concentric type : 6 metres**

### Note:

A pipe bend of 90° = an equivalent length of one metre



There should be a drain outlet close to the boiler to prevent chimney condensates entering the boiler.



To prevent condensation water running out of the terminal, all horizontal pipes should slope down to the boiler.

## HEATING CONNECTION

### Example of a basic circuit configuration

(see illustration G)

1. 3-way motorised mixing valve
2. Safety valve set to 3 bar with pressure gauge
3. Circulator
4. Non-return valve
5. System filling valve
6. Expansion tank
7. ACV 13 controller (see controller kit page 7)
8. Central heating isolating valve
9. Drain cock

### Hydraulic kit + ACV heating kit (see illustration F)

ACV offers an optional pre-assembled circulation kit comprising:

- a circulator.
- a 3-way manual motorisable valve.
- connecting pipes including a second optional circuit.
- two isolating valves.
- adapters for mounting safety valve with pressure gauge and filling valve to right or left of expansion tank. The expansion tank is not included.

## HOT WATER CONNECTION

### Pressure reducer

If the water mains pressure is greater than 6 bar, a pressure reducer calibrated to 4.5 bar must be fitted.

### Safety unit

The tank safety unit must be ACV approved and calibrated to 7 bar. The valve discharge must be connected to the sewer drain.

### Hot water expansion tank

Installing a hot water expansion tank avoids any risk of pressure surges due to water-hammer or pressure variations.

### Hot water circulation

If the tank is situated a long way from the point of use, then installing a closed return circuit can provide a faster supply of hot water always available.

### Example of connection with thermostatic valve

(see illustration H)

1. Safety unit
2. Pressure reducer
3. Thermostatic mixing valve
4. Hot water circulator
5. Non-return valve
6. Hot water type expansion tank
7. Cold water feed valve
8. Drawoff tap
9. Drain cock
10. Bleed valve
11. Isolating valve



### IMPORTANT

As a safety measure against burns, we strongly recommend installing a thermostatic mixer.

### Optional fittings available

Safety unit	Ø 3/4"
Pressure reducer	Ø 3/4"
Thermostatic mixing valve	Ø 3/4"
Expansion tank	5 litres

## CONTROLLER KITS

### KIT 1: ACV 13.00 / Basic (see illustration C)

Basic kit for regulating flow temperature according to weather conditions.

It comprises: temperature regulator with analogue timer, water temperature detector (-30°/130°C), outside temperature detector (-30°/50°C), 230V - 3 spindle servomotor SSY 319 and intermediate socket.

### KIT 2: ACV 13.00 / Standard (see illustration D)

Standard kit for regulating flow temperature according to weather conditions.

It comprises: temperature regulator with analogue timer, water temperature detector (-30°/130°C), outside temperature detector (-30°/50°C), 230V - 3 spindle servomotor SQK 349 and intermediate socket.

### Wiring diagram of ACV controller kits

(see illustration E)

- B2. Temperature probe
- B9. Outside temperature probe
- B5. Analogue/digital room thermostat
- P1. Central heating pump
- Y1/Y2/N. Mixer valve (SSY 319 or SQK 349)
  - bl. Blue N
  - n/z. Black Y2
  - br. Brown Y1

# INSTALLATION

## ELECTRICAL CONNECTION

### Power supply

The boiler operates with a 230 V - 50 Hz single phase supply. An on-off mains switch box with 6 A fuses must be fitted outside the boiler to allow power to be shut off during servicing and before any repairs are carried out on the boiler.

### Conformity

Boiler installation must comply with the prevailing local technical standards and legislation.

### Safety

The stainless steel tank must be earthed separately.



**The power to the boiler must be switched off before any work is carried out.**

### Boiler electrical wiring (see illustration A)

1. Control thermostat (60/90 °C)
2. On/off switch
3. Summer/winter selector
4. Safety thermostat (103 °C max.)
5. Boiler power connection
6. Heating circulator connection
7. Burner connection
8. Room thermostat
9. Cut-off thermostat (95 °C)
10. Boiler power plug

- B. Blue
- Br. Brown
- Gr. Green
- Or. Orange
- R. Red
- Y/Gr. Yellow / Green

### BMV1 and BMV2 oil burner electric wiring

(see illustration P)

The burner is supplied with power by a 3-core cable, to be plugged into the connector situated on the burner. Instructions for connection are given in the burner technical manual.

- A1. Automatic igniting device
- M. Burner motor
- QRB. Photoelectric resistor
- OH. Heater
- Z. Transformer
- BV1. Magnetic valve
- X1. Burner Euro plug connector
- X2. Boiler plug connector

- B. Blue
- Br. Brown
- Bk. Black
- W. White
- Y/Gr. Yellow / Green

## OIL SUPPLY

System construction and installation must be in accordance with DIN 4755. Local regulations must be followed.

Oil pipes must be brought sufficiently close to the burner so that the tubes can be connected without strain. On the aspiration side of the line, fit a filter with a quick closing valve. Install a check valve on the return line.

The Burner can operate with a 1 or 2 line system.

In series, the burner is designed to operate with a two-line system. The vacuum in the aspiration line should not exceed 0.4 bar.



**Refer to the ACV BMV1 and BMV2 burner manual supplied with them.**

### Single-line installation (see illustration I)

Height H	Ø 6 mm	Ø 6 mm	Ø 8 mm
4.0 m	100 m	100 m	100 m
3.5 m	100 m	100 m	100 m
3.0 m	100 m	197 m	100 m
2.5 m	100 m	181 m	100 m
2.0 m	100 m	165 m	100 m
1.5 m	197 m	149 m	177 m
1.0 m	165 m	132 m	151 m
0.5 m	132 m	116 m	126 m
<b>Nozzle</b>	<b>uo to 2.5 Kg</b>	<b>uo to 5.0 Kg</b>	<b>uo to 10.0 Kg</b>

### Dual-line installation (see illustration J)

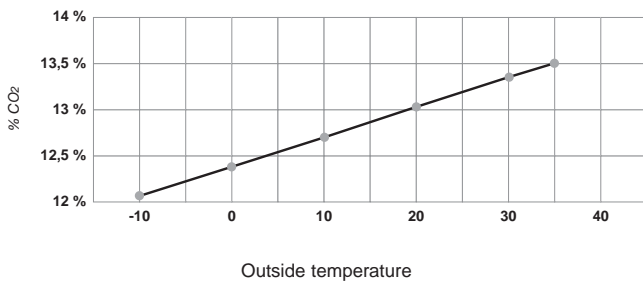
Height H	Ø 6 mm	Ø 8 mm	Ø 10 mm
0.0 m	17 m	53 m	100 m
0.5 m	15 m	47 m	100 m
1.0 m	13 m	41 m	199 m
1.5 m	11 m	34 m	184 m
2.0 m	19 m	28 m	168 m
2.5 m	17 m	22 m	153 m
3.0 m	15 m	15 m	137 m
3.5 m	13 m	19 m	122 m

**ACV BMV1 AND BMV2 OIL BURNERS**

**Description**

For the Delta Performance oil-fuelled balanced flue model, we have opted for the all-new technology of the ACV BMV1 and BMV2 oil burner, manufactured from high quality components combining performance with perfect combustion.

**CO<sub>2</sub> chart for the ACV BMV1 and BMV2 burner**



**ACV BMV1 AND BMV2 BURNER CAPTIONS**

(see illustration O)

1. Control unit
2. Nozzle line protection
3. Warning lamp
4. Electric plug connector
5. Attachment bracket
6. Burner blast tube
7. Ignition unit
8. High tension ignition cable
9. Oil pump
10. Oil aspiration line connection (*circuit with return only*)
11. Oil return connection
12. Motor condenser
13. Motor
14. Pump / nozzle connecting pipe
15. Burner casing
16. Nozzle line adjustment screw

**ACV BMV1 AND BMV2  
BURNER FACTORY SETTINGS**

Burner		FV/35	FV/50
		BMV1	BMV2
Input	<b>kW</b>	34.9	50
Nozzle	<b>gal/h</b>	0,75	1.25
Nozzle angle		60°H	60°H
Oil flow	<b>Kg/h</b>	2.95	4.22
Pump pressure	<b>bar</b>	11.8	9.5
Flue gas index		0 - 0.5	0 - 0.5
Air reducer	<b>%</b>	37	60
Air inlet	<b>%</b>	90	90
Nozzle line pressure	<b>mbar</b>	3.5 - 4	3.5 - 4
Nozzle line	<b>mm</b>	10	10
Weight	<b>Kg</b>	14.5	14.5

**WARNING: Set the % of CO<sub>2</sub> as per the data in the diagram above**

**FILLING THE DOMESTIC HOT WATER AND HEATING CIRCUITS** (see illustrations B, G et H)



**IMPORTANT**

**The hot water tank must be pressurised before the heating circuit is filled.**

1. Fill the domestic hot water circuit and bring it up to pressure.
2. Fill the heating circuit taking care not to exceed the 2 bar pressure limit.
3. Vent the air from the top of the boiler.
4. After venting the air from the system, bring the pressure up to the static head plus 0.5 bar: 1.5 bar = 10m -2 bar = 15 m.
5. Check the power connection, the boiler room ventilation, and ensure that there are no leaks in the flue gas discharge pipes.
6. Set the boiler thermostat to between 60 and 90 °C.
7. Set the Summer/Winter selector to the desired position.
8. Switch the on/off switch to the ON position.
9. Check the oil supply (and return).
10. Carry out the required venting, measurement and setting procedures.

**STARTING ACV BMV1 AND BMV2 BURNERS**

Refer to the ACV BMV1 and BMV2 burner manual supplied with them.

**RECOMMENDATION**

ACV advises that boilers should be serviced at least once a year. The burner must be serviced and tested by a competent engineer.

**SERVICING THE BOILER** (see illustration K)

1. Switch off the power at the mains switch outside the boiler and shut off the oil supply.
2. Set the on/off switch on the control panel to the OFF position.
3. Remove the top cover of the boiler (2) and take off the top of the chimney reduction (3).
5. Remove the turbulators (23) from the flue pipes (22) for cleaning. Change them if in poor condition.
6. Unscrew the burner chamber plate (10).
7. Brush the flue pipes (22).
8. Clean the burner chamber (18) and the burner.
9. Check the condition of the burner chamber plate insulation.

**SERVICING THE SAFETY DEVICES**

- Check that all thermostats and safety devices are working properly : boiler thermostat, cut-off thermostat and manually reset safety thermostat.
- Test the safety valves on the central heating and hot water circuits.

**SERVICING THE BURNER**

Refer to the ACV BMV1 and BMV2 burner manual supplied with them.

**EMPTYING THE BOILER**



**Water flowing out of the drain cock is extremely hot and can cause severe burns. Keep people away from discharges of hot water.**

**Emptying the heating circuit** (see illustration G)

1. Set the on/off switch on the control panel to the OFF position, turn off the power at the external mains switch and close the oil feed valve.
2. Close the isolating valves (8).
3. Connect a hose to the drain cock (9).
4. Open the drain cock to empty the primary circuit.

**Emptying the hot water circuit** (see illustration H)

1. Set the on/off switch on the control panel to the OFF position, turn off the power at the external mains switch and close the oil feed valve.
2. Lower the pressure in the heating circuit until the pressure gauge indicates zero bar.
3. Close the valves (7 and 11).
4. Open valves (9) and (10) (first 9 then 10).
5. Let the water empty into the drain .



**For the tank to be emptied, valve (9) must be situated at ground level.**



**USING THE BOILER**



**Have your system serviced every year by a qualified heating engineer. If the boiler is subject to heavy usage, it may need more frequent servicing. If this is the case, ask your installer for advice.**

**Starting the burner:**

In normal operation, the burner starts automatically whenever the boiler temperature falls below the set temperature.



**Before doing any work on the boiler, switch off the power at the mains switch installed in the boiler room by the electrician.  
On the control panel, switch off the ON/OFF switch.**

**Getting to know the control panel** *(see illustration B)*



**The user should not access the components inside the control panel.**

**1. Control thermostat - 60 to 90 °C**

When the boiler is used only to produce domestic hot water, the temperature can be set between 60 and 90 °C. If the boiler is used for both hot water and heating, the control thermostat will, as a general rule, be set to 80 °C to ensure optimum operating conditions.

**2. ON/OFF switch**

Used to start and stop the boiler.

**3. Summer/winter selector**

Starts and stops the heating pump *(if fitted)*.

**4. Thermometer**

Shows the boiler temperature in the primary circuit. The temperature should not exceed 90 °C. If it does, switch off the boiler and check the thermostat settings. If there is a fault, call a heating engineer.

**5. Controller**

See the user instructions supplied with the unit if you have chosen this option.

**6. Burner reset**

**7. Burner indicator lamp**

**Safety valve *(heating)***

If water flows from one of the safety valves, shut off the boiler and call your heating engineer.

A monthly inspection is recommended:

Lift the lever on the emptying device for a few seconds to ensure that the safety valve is working properly.



**If a fault occurs after this short trial, call the installing engineer.**

**Safety unit *(domestic hot water)***

A monthly inspection is recommended.

Lift the lever on the emptying device for a few seconds to ensure that the safety unit is working properly.



**If a fault occurs after this short trial, call the installing engineer.**



**Water flowing out of the safety valve or safety unit may be extremely hot and can cause very serious burns.**

### RESETTING ACV BMV1 AND BMV2 BURNERS

(see illustration Q)

If the burner is not working:

1. Remove the protective cover of the burner.
2. If the red light is lit, press the button to start the burner.
3. If the burner lights, replace the cover.



**If the burner does not operate, switch off the power before removing the front cover panel.**

4. Reset the safety thermostat on top of the boiler. (see illustration R).



**Wait until the boiler temperature is below 60 °C then replace the front cover panel.**

5. If the burner lights, replace its cover.
6. If the fault persists, notify the installing engineer.

#### **Starting the burner**

In normal operation, the burner starts automatically whenever the boiler temperature falls below the set temperature.



**To ensure your system operates properly, have it professionally serviced once a year before the central heating season begins.**

# NOTICE D'INSTALLATION, D'UTILISATION ET D'ENTRETIEN

**delta** performance  
ventouse

**FV 35**  
avec brûleur  
fioul ACV BMV(K)1

**FV 50**  
avec brûleur  
fioul ACV BMV(K)2



<b>INTRODUCTION</b>	<b>14</b>
Destinataires de cette notice	14
Symboles	14
Normes en usage	14
Avertissements	14
<b>DESCRIPTION</b>	<b>15</b>
Description générale	15
Principe de fonctionnement	15
Caractéristiques constructives	15
Légende de la chaudière	15
<b>CARACTERISTIQUES TECHNIQUES</b>	<b>15</b>
Généralités	16
Conditions extrêmes d'utilisation	16
Dimensions	16
Performances en eau chaude sanitaire	17
Caractéristiques générales	17
<b>INSTALLATION</b>	<b>18</b>
Chaufferie	18
Raccordements cheminée	18
Raccordements chauffage	19
Raccordements sanitaire	19
Kit de régulation	19
Raccordement électrique	20
Alimentation fioul	20
<b>CARACTERISTIQUES BRULEUR</b>	<b>21</b>
Brûleurs fioul ACV BMV1 et BMV2	21
Réglages usine des brûleurs ACV BMV1 et BMV2	21
Légende des brûleurs ACV BMV1 et BMV2	21
<b>MISE EN SERVICE</b>	<b>22</b>
Remplissage des circuits sanitaire et chauffage	22
Mise en service des brûleurs ACV BMV1 et BMV2	22
<b>ENTRETIEN</b>	<b>22</b>
Recommandation	22
Entretien de la chaudière	22
Entretien des dispositifs de sécurité	22
Entretien du brûleur	22
Vidange de la chaudière	22
<b>GUIDE DE L'UTILISATEUR</b>	<b>23</b>
Utilisation de la chaudière	23
Mise en sécurité des brûleurs ACV BMV1 et BMV2	24

## DESTINATAIRES DE CETTE NOTICE

Cette notice s'adresse:

- à l'ingénieur chargé de la prescription
- à l'installateur
- à l'utilisateur
- aux techniciens en charge de l'entretien

## SYMBOLES

Les symboles suivants sont utilisés dans cette notice:



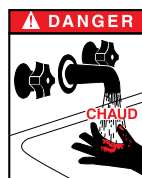
**Instruction essentielle pour un fonctionnement correct de l'installation.**



**Instruction essentielle pour la sécurité des personnes et de l'environnement.**



**Danger d'électrocution.**



**Danger de brûlure.**

## NORMES EN USAGE

Les produits ont reçu le certificat "CE" selon les normes en vigueur dans différents pays (Directive Européenne 92/42/CEE "rendement"). Ces produits ont également reçu le label belge "OPTIMAZ".



## AVERTISSEMENTS

Cette notice fait partie intégrante de l'équipement auquel elle se rapporte et doit être remise à l'utilisateur.

L'installation et l'entretien du produit seront exécutés par des techniciens qualifiés, en conformité avec les normes en vigueur.

ACV décline toute responsabilité pour tous dégâts consécutifs à une erreur d'installation et en cas d'utilisation d'appareils ou accessoires qui ne sont pas spécifiés par ACV.



**Le manque d'observation des instructions relatives aux opérations et procédures de contrôle peut entraîner des blessures aux personnes ou des risques de pollution.**

*Note:*

ACV se réserve le droit de modifier les caractéristiques techniques et les équipements de ses produits sans notification préalable.

## DESCRIPTION GENERALE

- Chaudière à double service (*chauffage et eau chaude sanitaire*).
- Production d'eau chaude sanitaire de type accumulation indirecte TANK-IN-TANK.
- Equipement nécessaire: un kit de raccordement hydraulique pour l'alimentation du circuit de chauffage (*disponible en option*).
- Le tableau de commande comporte un interrupteur général, un thermostat de réglage, un thermomètre, un commutateur Eté/Hiver et une prédécoupe pour le système de régulation intégré - ACV (*en option*).
- Le modèle Delta Performance FV, peut être raccordé en ventouse avec une connections cheminée concentrique de type C..., ou avec une connections cheminée de type B23 directement à la cheminée.
- Le modèle Delta Performance FV 35 avec une puissance utile fixe de 35 est équipé du brûleur fioul ACV BMV1.
- Le modèle Delta Performance FV 50 avec une puissance utile fixe de 50 est équipé du brûleur fioul ACV BMV2.

## PRINCIPE DE FONCTIONNEMENT

### Le concept "Tank-inTank"

La série Delta Performance ventouse se distingue des producteurs d'eau chaude traditionnels par son ballon annulaire immergé dans le fluide primaire contenu dans le corps externe. Lorsqu'il y a une demande de chaleur du système de chauffage ou du circuit d'eau chaude sanitaire, le potentiomètre enclenche le brûleur. Les gaz de combustion réchauffent rapidement le fluide primaire, tout en créant une circulation naturelle autour du ballon.

### Chauffage indirect de l'eau sanitaire

Cette circulation favorise l'échange de chaleur entre le fluide primaire et l'eau sanitaire, qui s'opère à travers toute la surface du ballon. Les ondulations sur les viroles intérieure et extérieure du ballon annulaire augmentent encore la surface d'échange de chaleur et accélèrent le réchauffement de l'eau sanitaire.

### Réglage aisé et sécurité assurée

Une seule commande permet de régler la température de l'eau, tant du circuit primaire que du circuit sanitaire, grâce au thermostat de réglage situé sous le ballon dans le circuit primaire.

Un thermostat limite, placé en partie supérieure de la chaudière, coupe automatiquement le brûleur lorsque la température de l'eau du circuit primaire atteint 95 °C. Un thermostat de sécurité à réarmement manuel verrouille le brûleur si la température atteint 103 °C.

## CARACTERISTIQUES CONSTRUCTIVES

### Corps externe

Le corps externe contenant le fluide primaire est réalisé en acier STW 22 de forte épaisseur.

### Echangeur accumulateur de type "Tank-inTank"

Le ballon interne de type annulaire à grande surface de chauffe pour la production d'eau chaude sanitaire est construit en acier inoxydable Chrome/Nickel 18/10. Il est ondulé sur toute sa hauteur par un procédé de fabrication exclusif et est entièrement soudé à l'argon suivant le procédé TIG (Tungsten Inert Gas).

### Circuit des gaz de combustion

Le circuit des gaz de combustion est protégé par une peinture résistante à haute température. Celui-ci comprend:

- Tubes de fumée Les différents modèles Delta Performance ventouse comportent, 8 tubes de fumée en acier d'un diamètre intérieur de 64 mm. Chacun des tubes est équipé d'un turbulateur en acier spécial destiné à améliorer l'échange thermique et à réduire la température des fumées.
- La chambre de combustion étanche est refroidie par eau.

### Isolation

Le corps de la chaudière est entièrement isolé par de la mousse de polyuréthane rigide à haut coefficient d'isolation thermique, projetée sans CFC.

### Jaquette

La chaudière est revêtue d'une jaquette en acier ayant subi un dégraissage et une phosphatation avant la peinture cuite au four à 220 °C.

## LEGENDE DE LA CHAUDIERE (*voir illustration K*)

1. Tableau de commande
2. Couvercle de la jaquette démontable (*Accès aux turbulateurs*)
3. Réduction cheminée
4. Elément de mesure avec récupérateur des condensats
5. Isolation en mousse de polyuréthane sans CFC
6. Ballon interne annulaire contenant l'eau chaude sanitaire
7. Jaquette latéral
8. Socle
9. Coiffe du brûleur
10. Porte foyère
11. Bulbe du thermostat de réglage
12. Face avant démontable
13. Flexible d'arrivée d'air au venturi
14. Thermostat de sécurité 103 °C à réarmement manuel
15. Bulbe du thermostat limite 95 °C
16. Adaptateur ventouse
17. Retour chauffage
18. Arrivée eau froide sanitaire
19. Ballon interne annulaire contenant l'eau chaude sanitaire
20. Chambre de combustion
21. Vidange de la chaudière
22. Retour chauffage
23. Tubes de fumée
24. Turbulateurs
25. Sortie eau chaude sanitaire
26. Départ chauffage

# CARACTERISTIQUES TECHNIQUES

## GENERALITES

Les appareils livrés arrivent complètement assemblés, testés et emballés sur un support en bois avec des bords anti-choc et protégés par un film en plastique thermorétractable. Au moment de la réception et après avoir retiré l'emballage, contrôler que les appareils ne sont pas endommagés. Pour le transport, vous référer aux dimensions et poids ci-dessous:

## CONDITIONS EXTREMES D'UTILISATION

### Pression de service maximum (ballon rempli d'eau)

- Circuit primaire: 3 bar
- Circuit secondaire: 10 bar

### Pression d'épreuve (ballon rempli d'eau)

- Circuit primaire: 4.5 bar
- Circuit secondaire: 13 bar

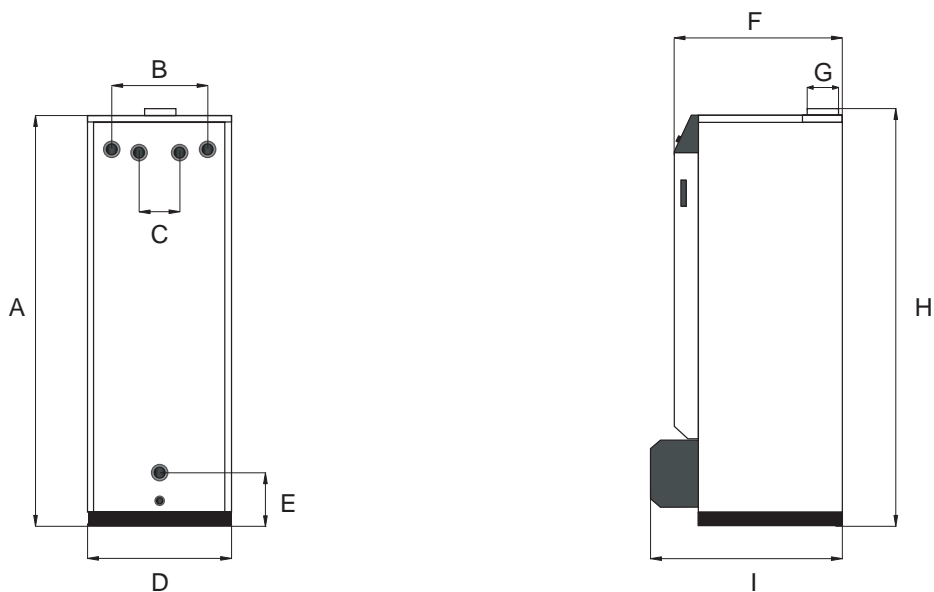
### Température d'utilisation

- Température maximum: 90 °C

### Qualité de l'eau

- Chlorures: < 150 mg/l (inox 304)  
< 2000 mg/l (Duplex)
- 6 □ pH □ 8

## DIMENSIONS



		FV/35	FV/50
A	mm	1585	1830
B	mm	390	390
C	mm	200	200
D	mm	542	542
E	mm	125	125
F	mm	645	645
G	mm	80 / 80 / 125	100 / 100 / 125
H	mm	1610	1880
I	mm	800	800
Poids à vide	Kg	182	220

## PERFORMANCE EAU CHAUDE SANITAIRE

		FV/35	FV/50
<b>Régime de fonctionnement à 80 °C</b>			
Débit de pointe à 40 °C ( $\Delta T = 30$ °C)	L/10'	291	377
Débit de pointe à 40 °C ( $\Delta T = 30$ °C)	L/60'	1044	1485
Débit continu à 40 °C ( $\Delta T = 30$ °C)	L/h	920	1352
<b>Durée de recharge du ballon à 60 °C</b>			
Mise en régime	minutes	20	13
Après puisage de 140 L à 45 °C	minutes	10	8

## CARACTERISTIQUES GENERALES

		FV/35	FV/50
Débit calorifique (input)	L/10'	34.9	50
Puissance nominale utile (output)	L/60'	32.62	46.75
Perte d'entretien à 60 °C de la valeur nominale	%	0.8 / 0.7	0.6 / 0.45
Capacité totale	L	127	162
Capacité du circuit primaire	L	62	82
Raccordement chauffage	Ø	1"	1"
Raccordement eau chaude sanitaire	Ø	3/4"	3/4"
Surface d'échange du ballon sanitaire	m <sup>2</sup>	1.99	2.46
Rendement de combustion	%	94.7	93.5
CO <sub>2</sub> moyenne	%	13	13
Débit massique des produits de combustion	g/sec.	14.8	21.2

# INSTALLATION

## CHAUFFERIE

### Important

- Ne jamais obstruer les ventilations.
- Ne pas entreposer des produits inflammables dans la chaufferie.
- Veiller à ne pas entreposer des produits corrosifs à proximité de la chaudière, tels que peinture, solvants, chlore, sel, savon et autres produits de nettoyage.

### Accessibilité

Le local de chauffe sera suffisamment dimensionné pour permettre une bonne accessibilité à la chaudière. Il convient de respecter les distances minimales suivantes autour de la chaudière (mm):

- à l'avant	500
- à l'arrière	150
- latéral	100
- au-dessus	700

### Ventilation

La chaufferie doit être équipée d'une ventilation basse et d'une ventilation haute selon l'illustration "L"

Le tableau ci-dessous est un exemple conforme au standard Belge.

		FV/35	FV/50
<b>Ventilation</b>			
Apport d'air frais min.	m <sup>3</sup> /h	63	90
Ventilation haute (A)	dm <sup>2</sup>	1.5	1.5
Ventilation basse (B)	dm <sup>2</sup>	1.5	2
Régulateur de tirage (C)	∅	80	100

#### Note:

(B) et (C) uniquement pour les raccordements de type B23

Les autres pays peuvent se référer à leur réglementation.

### Socle

Le socle sur lequel sera posée la chaudière doit être construit dans des matériaux incombustibles.

## RACCORDEMENTS CHEMINÉE



### IMPORTANT

L'installation sera réalisée par un installateur agréé, en conformité avec les normes et codes locaux en vigueur.



Le diamètre de la cheminée ne doit pas être inférieur à celle de la chaudière

### Raccordement cheminée de type: B23 (voir illustration L)

Le raccordement à la cheminée se fera au moyen d'un conduit métallique placé en pente ascendante de la chaudière vers la cheminée.

Un raccord de cheminée est nécessaire.

- A. Ventilation haute
- B. Ventilation basse
- C. Régulateur de tirage
- D. Regard de visite
- E. Hauteur de la cheminée tubée
- F. Diamètre de la cheminée

		FV/35	FV/50
<b>Cheminée</b>			
E = 5 m ∅ min. F	mm	213	236
E = 10 m ∅ min. F	mm	179	199
E = 15 m ∅ min. F	mm	162	179



#### Remarque:

Etant donné que les réglementations varient d'un pays à l'autre, le tableau ci-dessus est donné à titre indicatif uniquement.



Le rendement élevé de nos chaudières implique que les fumées sortent à basse température.

Par conséquent, un risque de condensation de ces fumées existe, qui peut entraîner des dégâts dans certaines cheminées. Afin d'éviter ce risque, il est vivement conseillé de faire tuber le conduit de cheminée.

Veillez contacter votre installateur pour de plus amples renseignements à ce sujet.

### Raccordement cheminée de type: C...

(voir illustrations M et N)

- C 13 : raccordement horizontal concentrique
- C 33 : raccordement vertical concentrique
- C 43 : raccordement à la cheminée concentrique

Longueur maximal concentrique : 6 metres

#### Note:

Un coude de 90° = à une longueur équivalent d'un metre



Une sortie à l'égout doit être à proximité de la chaudière afin d'éviter que les condensats de la cheminée n'entre dans la chaudière.



Pour éviter que l'eau de condensation ne s'écoule du terminal, tous les passages de conduits horizontaux doivent descendre vers la chaudière.



## RACCORDEMENT CHAUFFAGE

### Exemple de raccordement simple circuit

(voir illustration G)

1. Vanne mélangeuse à 3 voies motorisée
2. Soupape de sécurité tarée à 3 bar avec manomètre
3. Circulateur
4. Clapet anti-retour
5. Vanne de remplissage de l'installation
6. Vase d'expansion
7. Régulation ACV 13 (voir kit de régulation page 19)
8. Vanne d'isolement chauffage
9. Vidange

### Kit hydraulique + Kit chauffage sol ACV (voir illustration F)

ACV offre en option un kit hydraulique pré-assemblé comprenant:

- Un circulateur.
- Une vanne 3 voies manuelle motorisable.
- Les tuyauteries de raccordement incluant un deuxième circuit possible.
- Deux vannes d'isolement.
- Les raccords pour montage à droite ou à gauche du vase d'expansion, de la soupape de sécurité avec manomètre et de la vanne de remplissage. Le vase d'expansion n'est pas inclus.

## RACCORDEMENT SANITAIRE

### Réducteur de pression

Si la pression de l'eau de distribution est supérieure à 6 bar, il faut prévoir un réducteur de pression taré à 4,5 bar.

### Groupe de sécurité

Le groupe de sécurité du ballon sera agréé par ACV et taré à 7 bar. Prévoir le raccordement de la décharge de la soupape à l'égoût.

### Vase d'expansion sanitaire

L'installation d'un vase d'expansion sanitaire permet d'éviter tout risque de surpression due aux coups de bélier, ou aux variations de pression.

### Circulation d'eau chaude

En cas de grande distance entre le ballon et le point d'utilisation, l'installation d'un circuit fermé de recirculation peut assurer en permanence un puisage d'eau chaude plus rapide.

### Exemple de raccordement avec vanne thermostatique

(voir illustration H)

1. Groupe de sécurité
2. Réducteur de pression
3. Mitigeur thermostatique
4. Circulateur sanitaire
5. Clapet anti-retour
6. Vase d'expansion de type sanitaire
7. Robinet d'alimentation d'eau froide
8. Robinet de puisage
9. Robinet de vidange
10. Robinet de purge
11. Vanne d'isolement



### IMPORTANT

Par mesure de sécurité pour éviter les brûlures, l'installation d'un mitigeur thermostatique est vivement conseillée

### Accessoires disponibles en option

Groupe de sécurité	Ø 3/4"
Réducteur de pression	Ø 3/4"
Mitigeur thermostatique	Ø 3/4"
Vase d'expansion	5 litres

## KITS DE REGULATION

### KIT 1: ACV 13.00 / Basic (voir illustration C)

Kit de base pour la régulation de la température de départ en fonction des conditions atmosphériques.

Il comprend: régulateur de température avec horloge analogique, sonde d'applique de température de l'eau (-30/130°C), sonde extérieure (-30/50°C), servomoteur SSS 319 - 230 V - 3 broches et un socle intermédiaire.

### KIT 2: ACV 13.00 / Standard (voir illustration D)

Kit standard pour la régulation de la température de départ en fonction des conditions atmosphériques.

Il comprend: régulateur de température avec horloge analogique, sonde d'applique de température de l'eau (-30/130°C), sonde extérieure (-30/50°C), servomoteur SQK 349 - 230 V - 3 broches et un socle intermédiaire.

### Schéma électrique des kits de régulation ACV

(voir illustration E)

- B2. Sonde de température
- B9. Sonde extérieure
- B5. Sonde d'ambiance analogique/digital
- P1. Pompe chauffage
- Y1/Y2/N. Vanne mélangeuse (SSS 319 ou SQK 349)
  - bl. Bleu N
  - n/z. Noir Y2
  - br. Brun Y1

# INSTALLATION

## RACCORDEMENT ELECTRIQUE

### Principe d'alimentation

La chaudière fonctionne en monophasé 230 V - 50 Hz. A l'extérieur de la chaudière, il faut prévoir un coffret avec interrupteur général et fusibles de 6 A pour permettre la coupure de l'alimentation électrique lors des entretiens et avant toute intervention sur la chaudière.

### Conformité

L'installation sera réalisée en conformité avec les normes techniques et la législation locale en vigueur.

### Sécurité

Le ballon en inox doit être raccordé séparément à la terre.



**Il est important de couper l'alimentation électrique de la chaudière avant toute intervention.**

### Cablage électrique de la chaudière (voir illustration A)

1. Thermostat de réglage (60/90 °C)
2. Interrupteur général
3. Interrupteur Eté/Hiver
4. Thermostat de sécurité (103 °C max.)
5. Alimentation chaudière
6. Raccordement du circulateur chauffage
7. Raccordement brûleur
8. Thermostat d'ambiance (*en option*)
9. Thermostat de limit (95 °C)
10. Raccordement d'alimentation chaudière (*prise 6 broches*)

- B. Bleu
- Br. Marron
- Gr. Vert
- Or. Orange
- R. Rouge
- Y/Gr. Jaune / Vert

### Cablage électrique des brûleurs fioul BMV1 et BMV2

(voir illustration P)

Le brûleur est alimenté électriquement par un câble à 3 conducteurs, à raccorder au connecteur situé sur le brûleur. Les indications de raccordement figurent dans la notice technique du brûleur.

- A1. Dispositif d'allumage automatique
- M. Moteur du brûleur
- QRB. Résistance photo-électrique
- OH. Réchauffeur
- Z. Transformateur
- BV1. Soupape magnétique
- X1. Prise Euro du brûleur
- X2. Prise chaudière

- B. Bleu
- Br. Marron
- Bk. Noir
- W. Blanc
- Y/Gr. Jaune / Vert

## ALIMENTATION FIOUL

La construction et l'installation du système doivent être réalisées conformément aux normes DIN 4755. Respecter les prescriptions locales.

La conduite de fioul doit être amenée suffisamment près du brûleur pour que les flexibles puissent être raccordés sans contraintes. Dans la conduite, côté aspiration, monter un filtre à fioul muni d'un robinet à fermeture rapide. Installer une soupape de retenue dans la canalisation de retour.

Le Brûleur peut fonctionner avec le système à 1 ou à 2 conduites. En série, le brûleur est prévu pour fonctionner avec un système à deux conduites. Le vide dans la conduite d'aspiration ne doit dépasser 0,4 bar.



**Pour de plus amples informations spécifiques aux brûleurs, vous référer à la notice des brûleurs ACV BMV1 et BMV2 jointe à ceux-ci.**

### Installation à une conduite (voir illustration I)

Hauteur H	Ø 6 mm	Ø 6 mm	Ø 8 mm
4.0 m	100 m	100 m	100 m
3.5 m	100 m	100 m	100 m
3.0 m	100 m	197 m	100 m
2.5 m	100 m	181 m	100 m
2.0 m	100 m	165 m	100 m
1.5 m	197 m	149 m	177 m
1.0 m	165 m	132 m	151 m
0.5 m	132 m	116 m	126 m
<b>Gicleur</b>	<b>jusqu'à 2.5 Kg</b>	<b>jusqu'à 5.0 Kg</b>	<b>jusqu'à 10.0 Kg</b>

### Installation à deux conduites (voir illustration J)

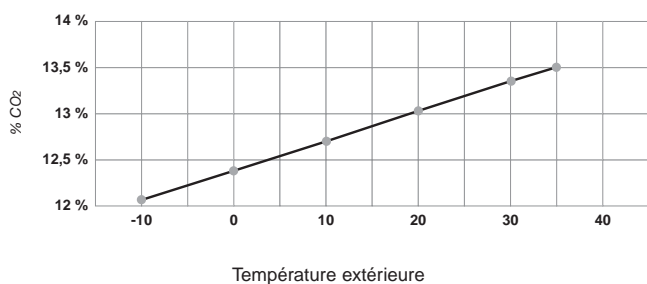
Hauteur H	Ø 6 mm	Ø 8 mm	Ø 10 mm
0.0 m	17 m	53 m	100 m
0.5 m	15 m	47 m	100 m
1.0 m	13 m	41 m	199 m
1.5 m	11 m	34 m	184 m
2.0 m	19 m	28 m	168 m
2.5 m	17 m	22 m	153 m
3.0 m	15 m	15 m	137 m
3.5 m	13 m	19 m	122 m

## BRULEURS FIOUL ACV BMV1 ET BMV2

### Description

Pour équiper le modèle Delta Performance fioul ventouse, nous avons opté pour la toute nouvelle technologie du brûleur fioul ACV BMV1 et BMV2, fabriqué à partir de composants de première qualité, combinant performance et parfaite combustion.

### Diagramme de CO<sub>2</sub> du brûleur ACV BMV1 et BMV2



## LEGENDE DES BRULEURS ACV BMV1 ET BMV2

(voir illustration O)

1. Boîtier de contrôle (*relais*)
2. Protection ligne gicleur
3. Lampe témoin
4. Fiche de raccordement électrique 7 broches
5. Bride de fixation sur la porte
6. Tube de flamme
7. Unit d'allumage
8. Cable d'allumage haute tension
9. Pompe fioul
10. Raccordement d'aspiration fioul
11. Raccordement de retour fioul (*uniquement circuit avec retour*)
12. Condensateur du moteur
13. Moteur
14. Tube de liaison pompe/gicleur
15. Carter du brûleur
16. Vis de réglage de la ligne gicleur

## REGLAGES USINE DES BRULEURS ACV BMV1 ET BMV2

		FV/35	FV/50
<b>Brûleur</b>		<b>BMV1</b>	<b>BMV2</b>
Puissance	<b>kW</b>	34.9	50
Gicleur	<b>gal/h</b>	0,75	1,25
Angle du gicleur		60°H	60°H
Débit fioul	<b>Kg/h</b>	2.95	4.22
Pression pompe	<b>bar</b>	11.8	9.5
Indice de fumées		0 - 0.5	0 - 0.5
Réducteur d'air	<b>%</b>	37	60
Entrée d'air	<b>%</b>	90	90
Pression ligne gicleur	<b>mbar</b>	3.5 - 4	3.5 - 4
Ligne gicleur	<b>mm</b>	10	10
Poids	<b>Kg</b>	14.5	14.5

**ATTENTION : Régler le % de CO<sub>2</sub> suivant les données reprises dans le diagramme ci-dessus.**

## REPLISSAGE DES CIRCUITS SANITAIRE ET CHAUFFAGE *(voir illustrations B, G et H)*



### IMPORTANT

**Il est essentiel que le ballon sanitaire soit sous pression avant de remplir le circuit de chauffage.**

1. Remplir le circuit sanitaire et le mettre sous pression.
2. Remplir le circuit chauffage en veillant à ne pas dépasser la pression de 2 bar.
3. Purger l'air contenu en partie supérieure de la chaudière.
4. Après purge d'air de l'installation, ramener la pression à la pression statique (*hauteur*) augmentée de 0,5 bar: 1,5 bar = 10 - 2 bar = 15 m.
5. Vérifier le raccordement électrique, la ventilation du local de chauffe et l'étanchéité des conduits d'évacuation des gaz de combustion.
6. Régler le thermostat chaudière entre 60 et 90 °C.
7. Positionner l'interrupteur Eté/Hiver sur la sélection désirée.
8. Mettre l'interrupteur général sur position ON.
9. Vérifier l'alimentation *(et le retour)* fioul.
10. Effectuer les purges, mesures et réglages nécessaires.

## MISE EN SERVICE DES BRULEURS ACV BMV1 ET BMV2

Référez-vous à la notice des brûleurs ACV BMV1 et BMV 2 jointe à ceux-ci.

## RECOMMANDATION

ACV conseille d'assurer l'entretien des chaudières au minimum une fois l'an. Cet entretien ainsi que le contrôle du brûleur seront effectués par un technicien compétent.

## ENTRETIEN DE LA CHAUDIERE *(voir illustration K)*

1. Couper le courant d'alimentation avec l'interrupteur du coffret à l'extérieur de la chaudière et fermer l'alimentation fioul.
2. Mettre l'interrupteur général sur le tableau de commande en position OFF.
3. Déboîter la jaquette supérieur de la chaudière (2) et démonter la partie supérieur de la réduction cheminée (3).
5. Extraire les turbulateurs (24) des tubes de fumées (23) pour nettoyage. Les remplacer en cas d'usure.
6. Démonter la porte foyère (10).
7. Brosser les tubes de fumées (23).
8. Nettoyer le foyer (18) et le brûleur.
9. Vérifier l'état de l'isolation de la porte foyère.

## ENTRETIEN DES DISPOSITIFS DE SECURITE

- Vérifier le bon fonctionnement de tous les thermostats et dispositifs de sécurité: thermostat chaudière, thermostat limite et thermostat de sécurité à réarmement manuel.
- Contrôler les soupapes de sécurité du circuit chauffage et du circuit sanitaire.

## ENTRETIEN DU BRULEUR

Référez-vous à la notice des brûleurs ACV BMV1 et BMV 2 jointe à ceux-ci.

## VIDANGE DE LA CHAUDIERE



**L'eau s'écoulant du robinet de vidange est très chaude et peut causer de très graves brûlures. Eviter la présence de toute personne à proximité des écoulements d'eau chaude.**

### Vidange du circuit chauffage *(voir illustration G)*

1. Mettre l'interrupteur général sur le tableau de commande en position OFF, couper l'alimentation électrique extérieure et fermer la vanne d'alimentation du fioul.
2. Fermer les robinets d'isolement (8).
3. Connecter un tuyau souple au robinet de vidange (9).
4. Ouvrir le robinet de vidange pour vider le circuit primaire.

### Vidange du circuit sanitaire *(voir illustration H)*

1. Mettre l'interrupteur général sur le tableau de commande en position OFF, couper l'alimentation électrique extérieure et fermer la vanne d'alimentation du fioul.
2. Diminuer la pression du circuit chauffage jusqu'à ce que le manomètre indique zéro bar.
3. Fermer les robinets (7 et 11).
4. ouvrir les robinets (9 et 10) (d'abord 9 puis 10).
5. Laisser la vidange s'écouler vers l'égout.



**Pour que la vidange puisse s'effectuer, le robinet (9) doit être situé au niveau du sol.**

UTILISATION DE LA CHAUDIERE



**Veillez faire entretenir votre système chaque année par un technicien professionnel. Si la chaudière est confrontée à une forte utilisation, celle-ci peut nécessiter de plusieurs entretiens par an. Dans ce cas, demandez conseil à votre installateur.**

**Démarrage du brûleur:**  
En fonctionnement normal, le démarrage du brûleur est automatique dans la mesure où la température de la chaudière est inférieure à la consigne.



**Avant toute intervention sur la chaudière couper son alimentation électrique au tableau général installé dans la chaufferie par l'électricien. Sur le tableau de commande, couper l'interrupteur général.**

**Se familiariser avec le tableau de commande**

*(voir illustration B)*



**L'utilisateur n'a pas à accéder aux composants interne du tableau de commande.**

**1. Thermostat de réglage - 60 à 90 °C**

Lorsque le chaudière est utilisé uniquement comme producteur d'eau chaude, la température peut être réglée entre 60 et 90 °C. Si la chaudière est utilisé pour une production d'eau chaude et de chauffage, le thermostat de réglage sera généralement réglé sur 80 °C afin de garantir des conditions optimales de fonctionnement.

**2. Interrupteur général**

Cet interrupteur permet de démarrer et d'arrêter la chaudière

**3. Interrupteur Eté/Hiver**

Il permet d'actionner et d'arrêter la pompe de circulation chauffage *(si celle-ci est installée).*

**4. Thermomètre**

Cette jauge affiche la température de la chaudière au sein du circuit primaire. La temperature ne devrait pas dépasser 90 °C. Si elle est supérieur, il convient d'arrêter la chaudière et de faire contrôler les réglages du thermostat. Si la panne persiste, appeler un technicien.

**5. Régulation**

Se référer à la notice d'utilisation jointe à l'appareil, si vous avez choisi cette option.

**6. Réarmement du brûleur**

**7. Lampe témoin du brûleur**

**Soupapes de sécurité (chauffage)**

Si l'eau s'écoule de l'une des vannes de sécurité, arrêter la chaudière et appeler votre technicien.

Un contrôle mensuel est recommandé: Lever pendant quelques secondes le levier du dispositif de vidange pour s'assurer du bon fonctionnement de la soupape de sécurité.



**En cas d'anomalie après ce court essai, prévenir l'installateur.**

**Groupe de sécurité (sanitaire)**

Un contrôle mensuel est recommandé: Lever pendant quelques secondes le levier du dispositif de vidange pour s'assurer du bon fonctionnement du groupe de sécurité.



**En cas d'anomalie après ce court essai, prévenir l'installateur.**



**L'eau pouvant s'écouler de la soupape de sécurité ou du groupe de sécurité peut être extrêmement chaude et causer de très graves brûlures.**

### MISE EN SECURITE DES BRULEURS ACV BMV1 ET BMV2

---

(voir illustration Q)

Si le brûleur est inopérant:

1. Retirer la coiffe de protection du brûleur.
2. Si le voyant rouge est allumé, appuyer sur le bouton pour faire démarrer le brûleur.
3. Si le brûleur fonctionne, remettre la coiffe.



**Si le brûleur ne fonctionne pas, couper l'alimentation électrique avant de retirer la face avant de la jaquette.**

4. Réarmer le thermostat de sécurité sur le dessus de la chaudière.  
(voir illustration R).



**Attendre que la température de la chaudière soit inférieure à 60 °C. Puis remettre la face avant de la jaquette.**

5. Si le brûleur fonctionne remonter sa coiffe.
6. En cas d'anomalie persistante, prévenir l'installateur.

#### **Démarrage du brûleur.**

En fonctionnement normal, le démarrage du brûleur est automatique dans la mesure où la température de la chaudière est inférieure à la température de consigne.



**Pour assurer un bon fonctionnement de votre système, veuillez le faire entretenir annuellement par un professionnel, avant la saison de chauffe.**

# HANDLEIDING VOOR DE INSTALLATIE, HET GEBRUIK EN HET ONDERHOUD

**delta** performance  
met muur- of  
dakdoorvoer

**FV 35**

met stookoliebrander  
ACV BMV(K)1

**FV 50**

met stookoliebrander  
ACV BMV(K)2



<b>INLEIDING</b>	<b>26</b>
Geadresseerden	26
Symbolen	26
Toepasselijke normen	26
Waarschuwingen	14
<b>BESCHRIJVING</b>	<b>27</b>
Algemene beschrijving	27
Werkingsprincipe	27
Constructiekenmerken	27
Legende van de ketel	27
<b>TECHNISCHE KENMERKEN</b>	<b>28</b>
Algemeenheden	28
Extremes gebruiksvoorwaarden	28
Afmetingen	28
Sanitair warm waterprestaties	29
Algemene kenmerken	29
<b>INSTALLATIE</b>	<b>30</b>
Stookruimte	30
Schouwaansluitingen	30
CV-aansluiting	31
Sanitair aansluiting	31
Regulatiekits	31
elektrische aansluiting	32
Toevoer stookolie	32
<b>BRANDERKENMERKEN</b>	<b>33</b>
ACV-stookoliebranders BMV1 en BMV2	33
Fabrieksinstelling van de ACV-branders BMV1 en BMV2	33
Legende van de ACV-branders BMV1 en BMV2	33
<b>INDIENSTSTEILING</b>	<b>34</b>
Vulling van de sanitair kring en de CV kring	34
Indienststelling van de ACV-branders BMV1 en BMV2	34
<b>ONDERHOUD</b>	<b>34</b>
Aanbeveling	34
Onderhoud van de ketel	34
Onderhoud van de veiligheidselementen	34
Onderhoud van de brander	34
Leegloop van de ketel	34
<b>GEBUIKERSGIDS</b>	<b>35</b>
Gebruik van de ketel	35
Beveiling van de ACV-branders BMV1 en BMV2	36

**GEADRESSEERDEN**

Deze brochure richt zich tot:

- de zaakgelastigde van het lastenboek
- de installateur
- de gebruiker
- de techniekers belast met het onderhoud

**SYMBOLLEN**

In deze brochure vindt u de volgende symbolen terug:



**Essentiële instructie voor een correcte werking van de installatie.**



**Essentiële instructie voor de veiligheid van de personen en het leefmilieu.**



**Gevaar van elektrocutie.**



**Verbrandingsgevaar**

**TOEPASSELIJKE NORMEN**

De toestellen werden "CE" gekeurd overeenkomstig de geldende normen in de verschillende landen (Europese Richtlijnen 92/42/EEG "rendement"). Deze toestellen hebben eveneens het Belgisch labels "Optimaz" ontvangen.

**WAARSCHUWINGEN**

Deze brochure maakt integraal deel uit van het toestel en moet aan de gebruiker overhandigd worden.

De installatie en het onderhoud van het toestel dienen uitgevoerd te worden door bevoegde techniekers, overeenkomstig de geldende normen.

ACV wijst elke verantwoordelijkheid af voor schade veroorzaakt door een foutieve installatie en bij gebruik van niet door ACV gekeurde toestellen of accessoires.



**Het veronachtzamen van de instructies betreffende de werking en de controleprocedures kan aanleiding geven tot verwondingen van personen of tot milieuverontreiniging.**

*Nota:*

ACV behoudt zich het recht voor de technische kenmerken en de uitrusting van haar toestellen zonder voorafgaand bericht te wijzigen.



## ALGEMENE BESCHRIJVING

- Combi-ketel (*centrale verwarming en sanitair warm waterproductie*).
- Indirect gestookte "TANK-IN-TANK" sanitaire warm water productie van het accumulatietype.
- Noodzakelijke uitrusting: een hydraulische aansluitkit voor de voeding van de cv-kring (*in optie beschikbaar*).
- Het bedieningspaneel bevat een hoofdschakelaar, een regelthermostaat, een thermometer, een zomer/winter schakelaar en een geponste ruimte voor het aanbrengen van een ingebouwd regulatiesysteem ACV (*in optie*).
- Het model DELTA Performance FV kan op de schouw aangesloten worden met concentrische schouwaansluitingen van het type C... of met een schouwaansluiting van het type B23 rechtstreeks op de schoorsteen.
- Het model DELTA Performance FB 35 met een nuttig vast vermogen van 35 kW is uitgerust met een stookoliebrander ACV BMV1.
- Het model DELTA FV 50 met een nuttig vast vermogen van 50 kW is uitgerust met een stookoliebrander ACV BMV2.

## WERKINGSPRINCIPE

### Het "Tank-in-Tank" concept

De serie DELTA Performance met muur- of dakdoorvoer onderscheidt zich van de traditionele warm waterbereiders door zijn ringvormige boiler die ondergedompeld is in de primaire vloeistof van het buitenlichaam. Als er vraag is naar sanitair warm water door de cv- of sanitaire kring, wordt de brander door de potentiometer gestuurd. De verbrandingsgassen warmen de primaire vloeistof zeer snel op, terwijl rond de boiler een natuurlijke circulatie gecreëerd wordt.

### Indirect gestookt sanitair water

Deze circulatie begunstigt de warmtewisseling tussen de primaire vloeistof en het sanitair water over het totale boileroppervlak. De inkepingen van de binnen- en buitenwanden van de ringvormige boiler bevorderen deze warmtewisseling en versnellen de opwarming van het sanitair water.

### Eenvoudige afstelling en verzekerde veiligheid

De watertemperatuur van de primaire en sanitaire kring kan door middel van één enkele sturing geregeld worden dankzij de regelbare ketelthermostaat die zich onderaan de boiler in de primaire kring bevindt.

Een limietthermostaat bovenaan de ketel doet de brander automatisch stoppen wanneer de watertemperatuur van de primaire vloeistof 95° C bereikt. Een handbediende herinschakelbare veiligheidsthermostaat vergrendelt de brander wanneer de temperatuur 103° C bereikt.

## CONSTRUCTIEKENMERKEN

### Buitenlichaam

Het buitenlichaam met de primaire vloeistof is vervaardigd uit dik staal STW 22.

### Accumulator warmtewisselaar type "Tank-in-Tank"

De ringvormige binnenboiler met groot warmteoppervlak voor de productie van sanitair warm water is vervaardigd uit roestvrij chroom-nikkelstaal 18/10. Hij is voorzien van inkepingen over zijn totale hoogte - een exclusief fabricatieprocédé - en is integraal gelast met argon volgens het TIGprocédé (Tungsten Inert Gas).

### Omloop van de verbrandingsgassen

De omloop van de verbrandingsgassen is beschermd door een vuurvaste verflaag en is samengesteld uit:

- De verschillende modellen DELTA Performance met muur- of dakdoorvoer hebben elk 8 stalen rookgaskanalen, met een binnendiameter van 64 mm. Elk kanaal is uitgerust met een retarder uit speciaal staal om de thermische uitwisseling te verbeteren en de rookgastemperatuur te reduceren.
- De luchtdichte verbrandingskamer wordt met water gekoeld.

### Isolatie

Het ketellichaam is volledig geïsoleerd met een dikke laag CFK-vrij gespoten pur-schuim, met een hoogwaardige thermisch isolatiecoëfficiënt.

### Ommanteling

De ketel wordt bekleed met een stalen ommanteling die vooraleer in de oven op 220° gelakt te worden, een ontvettings- en fosfatatiebehandeling onderging.

## LEGENDE VAN DE KETEL (zie afbeelding K)

1. Bedieningspaneel
2. Deksel van de ketel mantel demonteerbaar.  
(Toegang tot de retarders)
3. Schouwreductiestuk
4. Meetelement met condensopvang
5. Isolatie in CFK-vrij PUR-schuim
6. Interne ringvormige boiler met sanitair warm water
7. Zijmantel
8. Sokkel
9. Branderkap
10. Vuurhaarddeur
11. Regelthermostaat voeler
12. Demonteerbare voorzijde
13. Luchttoevoer soepele leiding naar venturi
14. Veiligheidsthermostaat 103 °C met manuele herinschakeling
15. Limietthermostaat 95 °C voeler
16. Concentrisch adapter
17. Terugloop centrale verwarming (cv)
18. Toevoer van sanitair koud water
19. Interne ringvormige boiler met sanitair warm water
20. Verbrandingskamer
21. Leegloop van de ketel
23. Vertrek centrale verwarming (cv)
23. Rookgaskanalen
24. Retarders
25. Vertrek van sanitair warm water
26. Vertrek centrale verwarming (cv)

## TECHNISCHE KENMERKEN

### ALGEMEENHEDEN

De geleverde toestellen zijn volledig geassembleerd, getest en verpakt op een houten console met schokwerende boorden en beschermd met krimpfolie. Nadat u het toestel in ontvangst genomen en uitgepakt heeft, moet u controleren of het toestel geen schade geleden heeft. Voor het transport, verwijzen wij naar de hieronder vermelde afmetingen en gewichten.

### EXTREME GEBRUIKSVORWAARDEN

#### Maximale werkingsdruk (boiler gevuld met water)

- Primaire kring : 3 bar
- Secundaire kring : 10 bar

#### Proefdruk (boiler gevuld met water)

- Primaire kring : 4,5 bar
- Secundaire kring : 13 bar

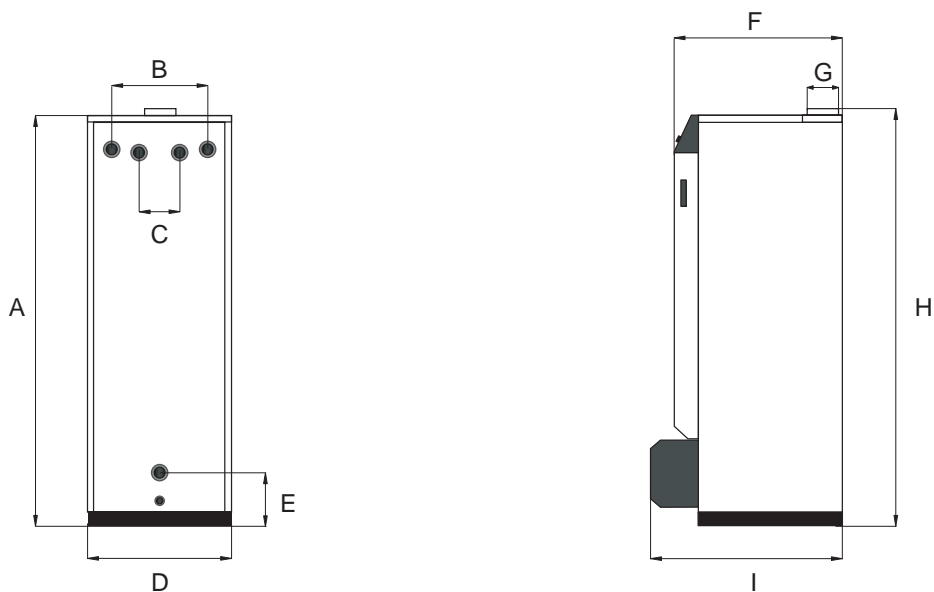
#### Gebruikstemperatuur

- Maximale temperatuur: 90°C

#### Kwaliteit van het water

- Chloride: < 150 mg/l (inox 304)  
< 2000 mg/l (Duplex)
- 6 □ pH □ 8

### AFMETINGEN



		FV/35	FV/50
A	mm	1585	1830
B	mm	390	390
C	mm	200	200
D	mm	542	542
E	mm	125	125
F	mm	645	645
G	mm	80 / 80 / 125	100 / 100 / 150
H	mm	1610	1880
I	mm	800	800
Leeg gewicht	Kg	182	220

**SANITAIR WARM WATERPRESTATIES**

		<b>FV/35</b>	<b>FV/50</b>
<b>Werkingsregime op 80 °C</b>			
Piekdebiet op 40 °C ( $\Delta T = 30$ °C)	<b>L/10'</b>	283	377
Piekdebiet op 40 °C ( $\Delta T = 30$ °C)	<b>L/60'</b>	1024	1485
Continu debiet op 40 °C ( $\Delta T = 30$ °C)	<b>L/uur</b>	920	1352
<b>Oplaadtijd van de boiler op 60°C</b>			
Oplaadtijd	<b>minuten</b>	20	13
Na aftapping van 140 L. op 45 °C	<b>minuten</b>	10	8

**ALGEMENE KENMERKEN**

		<b>FV/35</b>	<b>FV/50</b>
Belasting (input)	<b>kW</b>	34.9	50
Nominaal nuttig vermogen (output)	<b>kW</b>	32.62	46.75
Stilstandverlies op 60° C van de nominale waarde %		0.8 / 0.7	0.6 / 0.45
Totale capaciteit	<b>L</b>	127	162
Capaciteit primaire kring	<b>L</b>	62	82
CV-aansluiting	<b>Ø</b>	1"	1"
Sanitaire aansluiting	<b>Ø</b>	3/4"	3/4"
Warmteoppervlak van de boiler	<b>m<sup>2</sup></b>	1.99	2.46
Verbrandingsrendement	<b>%</b>	93.5	93.5
Gemiddelde CO <sub>2</sub>	<b>%</b>	13	13
Massadebiet van de verbrandingsproducten	<b>g/sec.</b>	14.8	21.2

# INSTALLATIE

## STOOKRUIMTE

### Belangrijk

- De verluchtingsgaten nooit afstoppen.
- Geen brandbare stoffen in de stookruimte opbergen.
- Erover waken dat er zich geen corrosieve producten in de buurt van de ketel bevinden zoals verf, solventen, chloor, zout, zeep en andere onderhoudsproducten.

### Bereikbaarheid

De stookruimte dient ruim genoeg te zijn voor een probleemloze toegang tot de ketel. Het volstaat rond de ketel de volgende minimumafstanden te respecteren (mm) :

- vooraan 500
- achteraan 150
- zijwaarts 100
- bovenaan 700

### Verluchting

De stookruimte moet voorzien zijn van een boven- en benedenverluchting overeenkomstig afbeelding "L".

De onderstaande tabel is een voorbeeld conform de Belgische norm.

		FV/35	FV/50
<b>Verluchting</b>			
Min. frisse luchtanvoer	m <sup>3</sup> /uur	63	90
Bovenverluchting (A)	dm <sup>2</sup>	1.5	1.5
Benedenverluchting (B)	dm <sup>2</sup>	1.5	2
Trekregelaar (C)	Ø	80	100

### Nota:

(B) en (C) enkel voor de aansluitingen van het type B23.

De andere landen kunnen zich naar hun eigen reglementeringen verwijzen.

### Sokkel

De ketel zal op een sokkel van onbrandbare materie gemonteerd worden.

## SCHOUWAANSLUITINGEN



### BELANGRIJK

De installatie moet gebeuren door een erkend installateur, overeenkomstig de plaatselijk geldende normen.



De diameter van de schouw mag niet kleiner zijn dan deze van de ketel.

### Schouwaansluiting van het type: B23 (zie afbeelding L)

De aansluiting op de schouw gebeurt door middel van een metalen aansluitstuk in stijgende lijn naar de schouw toe.

Een muur- of dakdoorvoer is noodzakelijk..

- A. Bovenverluchting
- B. Benedenverluchting
- C. Trekregelaar
- D. Kijkgat
- E. Schouwhoogte
- F. Diameter van de schouw

		FV/35	FV/50
<b>Schoorsteen</b>			
E = 5 m Ø min. F	mm	213	236
E = 10 m Ø min. F	mm	179	199
E = 15 m Ø min. F	mm	162	179



### Opmerking:

Aangezien de reglementeringen van land tot land verschillen, wordt de bovenstaande tabel enkel ter indicatie gegeven.



Het hoge rendement van onze ketels zorgt ervoor dat de rookgassen op lage temperatuur afgevoerd worden. Dit kan condens veroorzaken, wat schadelijk kan zijn voor de schouw. Om dit risico te vermijden, is het sterk aangeraden om de schouw te tuberen. Neem voor meer informatie hierover contact op met uw installateur.

### Schoorsteenaansluiting van het type: C...

(zie afbeeldingen M en N)

- C 13 : concentrische horizontale aansluiting
- C 33 : concentrische verticale aansluiting
- C 43 : concentrische schouwaansluiting

**Maximum concentrische lengte : 6 meter**

### Nota:

Een bocht van 90° = een lengte evenwaardig met één meter



Er moet een afvoerleiding in de buurt van de ketel zijn om te vermijden dat de condensaten van de schoorsteen terug in de ketel komen.



Om te vermijden dat het condensatiewater uit de terminal loopt, moeten alle passages van horizontale leidingen naar de ketel lopen.

## CV-AANSLUITING

### Voorbeeld van aansluiting met één kring

(zie afbeelding G)

1. Motoriseerbare 3-wegmengkraan
2. Veiligheidsklep afgesteld op 3 bar met manometer
3. Circulator
4. Terugslagklep
5. Vulset van de installatie
6. Expansievat
7. ACV 13 regulatie (zie regulatiekit pagina 30)
8. CV- afsluitkraan
9. Leegloop

### Hydraulische kit + Cv-kit ACV (zie afbeelding F)

ACV biedt een voorafgemonteerde hydraulische kit in optie, samegesteld uit:

- Een circulator
- Een motoriseerbare 3-wegmengkraan
- De aansluitingen van de leidingen met een mogelijke tweede kring
- Twee afsluitkranen
- De aansluitingen voor het monteren aan de rechter- of linkerkant van het expansievat, de veiligheidsklep met manometer en de vulklep. Het expansievat is niet inbegrepen.

## SANITAIRE AANSLUITING

### Drukregelaar

Indien de druk van het leidingwater meer dan 6 bar is, dient een drukregelaar afgesteld op 4,5 bar voorzien te worden.

### Veiligheidsgroep

De veiligheidsgroep van de boiler zal een ACV type zijn, afgesteld op 7 bar. De leegloop dient aangesloten te worden op een sterfput.

### Sanitair expansievat

Met het sanitair expansievat wordt elk risico tot overdruk door waterslag of drukschommelingen vermeden.

### Warm watercirculatie

Wanneer de afstand tussen de ketel en het aftappunt groot is, kan de plaatsing van een gesloten omloop doorlopend zorgen voor een snellere warm wateraftapping.

### Voorbeeld van een aansluiting met thermostatische mengkraan (zie afbeelding H)

1. Veiligheidsgroep
2. Drukregelaar
3. Thermostatische mengkraan
4. Sanitaire circulator
5. Terugslagklep
6. Sanitair expansievat
7. Kraan voor aanvoer koud water
8. Aftapkraan
9. Leegloopkraan
10. Leegloopkraan voor de aftapping
11. Afsluitkraan



### BELANGRIJK

Om brandwonden te voorkomen wordt uit veiligheidsoverweging aanbevolen een thermostatische mengkraan te installeren.

### In optie verkrijgbaar toebehoren

Veiligheidsgroep	Ø 3/4"
Drukregelaar	Ø 3/4"
Thermostatische mengkraan	Ø 3/4"
Expansievat	5 L.

## REGULATIEKITS

### KIT 1: ACV 13.00 / Basis (zie afbeelding C)

Basiskit voor de regeling van de vertrektemperatuur op basis van de weersomstandigheden. Deze kit omvat: de temperatuurregelaar met analoge klok, een klemtemperatuurvoeler voor het water (-30°/130°C), een buitentemperatuurvoeler (-30/50°C), een servomotor SSS 319 - 230 V - 3 puntsturing en een tussensokkel.

### KIT 2: ACV 13.00 / Standaard (zie afbeelding D)

Standaardkit voor de regulatie van de vertrektemperatuur op basis van de weersomstandigheden. Deze kit omvat: de temperatuurregelaar met analoge klok, een klemtemperatuurvoeler voor het water (-30°/130°C), een buitentemperatuurvoeler (-30/50°C), een servomotor SQK 349 - 230 V - 3 puntsturing en een tussensokkel.

### Elektrisch schema van de regulatiekits ACV

(zie afbeelding E)

- B2. Klemtemperatuurvoeler
- B9. Buitenvoeler
- B5. Analoge/digitale ruimtevoeler
- P1. CV-pomp.
- Y1/Y2/N. Mengkraan (SSS 319 of SQK349)
  - bl. Blauw N
  - n/z. Zwart Y2
  - br. Bruin Y1

# INSTALLATIE

## ELEKTRISCHE AANSLUITING

### Voedingsprincipe

De ketel werkt éénfasig op 230 V. – 50 Hz. Buiten de ketel dient een aansluitdoos met hoofdschakelaar en zekeringen van 6 A voorzien te worden, zodat bij elke interventie of bij onderhoud van de ketel de elektrische stroomtoevoer onderbroken kan worden.

### Conformiteit

De installatie zal uitgevoerd worden overeenkomstig de geldende technische en plaatselijke wettelijke voorschriften.

### Veiligheid

De roestvrijstalen boiler moet van een afzonderlijke aarding voorzien worden.



Het is belangrijk de stroomtoevoer bij elke interventie te onderbreken.

### Elektrische bekabeling van de ketel (zie afbeelding A)

1. Ketelthermostaat (60°/90°C)
2. Hoofdschakelaar
3. Zomer/winter schakelaar
4. Veiligheidsthermostaat (max. 103°C)
5. Aansluiting voeding ketel
6. Aansluiting cv-circulator
7. Aansluiting brander
8. Kamerthermostaat
9. Limietthermostaat (max. 95°C)
10. Stopcontact voeding

- B. Blauw  
Br. Bruin  
Gr. Groen  
Or. Oranje  
R. Rood  
Y/Gr. Geel/Groen

### Elektrische bekabeling van de stookoliebrander BMV1 en BMV2 (zie afbeelding P)

De brander wordt gevoed met een kabel met drie geleiders, die aangesloten moet worden op de verbindingsklem die zich op de brander bevindt. De aansluitinstructies staan vermeld in de technische brochure van de brander.

- A1. Automatische ontstekingsinrichting  
M. Brandermotor  
QRB. Foto-elektrische weerstand  
OH. Verwarmer  
Z. Transformator  
BV1. Magnetische klep  
X1. Eurostekker van de brander  
X2. Stekker ketel
- B. Blauw  
Br. Bruin  
Bk. Zwart  
W. Wit  
Y/Gr. Geel/Groen

## TOEVOER STOOKOLIE

De opbouw en de installatie van het systeem moeten gebeuren volgens de normen DIN 4755. Respecteer de plaatselijke voorschriften. De stookolieleidingen moeten zich voldoende dicht bij de brander bevinden, zodat de leidingen probleemloos aangesloten kunnen worden.

In de leiding moet men aan de kant van de aanzuiging een stookoliefilter monteren die voorzien is van een snelsluitkraan. Installeer een terugslagklep in de retourleiding. De brander kan werken met het systeem met 1 of 2 leidingen.

Als hij in serie werkt, is de brander voorzien om met een systeem met 2 leidingen te werken. Het vacuüm in de aanzuigleiding mag 0,4 bar niet overschrijden.



Voor meer specifieke informatie over de branders, wordt verwezen naar de handleiding die bij de ACV-branders BMV1 en BMV2 gevoegd evordt.

### Installatie met één leiding (zie afbeelding I)

Hoogte H	Ø 6 mm	Ø 6 mm	Ø 8 mm
4.0 m	100 m	100 m	100 m
3.5 m	100 m	100 m	100 m
3.0 m	100 m	197 m	100 m
2.5 m	100 m	181 m	100 m
2.0 m	100 m	165 m	100 m
1.5 m	197 m	149 m	177 m
1.0 m	165 m	132 m	151 m
0.5 m	132 m	116 m	126 m
Sproeier	tot 2.5 Kg	tot 5.0 Kg	tot 10.0 Kg

### Installatie met twee leidingen (zie afbeelding J)

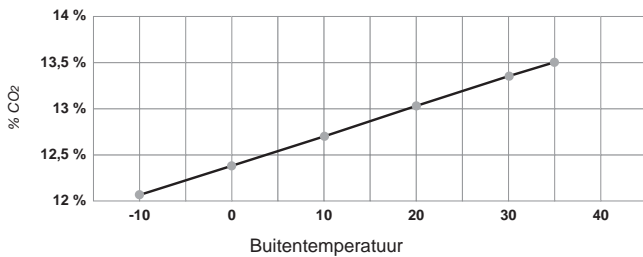
Hoogte H	Ø 6 mm	Ø 8 mm	Ø 10 mm
0.0 m	17 m	53 m	100 m
0.5 m	15 m	47 m	100 m
1.0 m	13 m	41 m	199 m
1.5 m	11 m	34 m	184 m
2.0 m	19 m	28 m	168 m
2.5 m	17 m	22 m	153 m
3.0 m	15 m	15 m	137 m
3.5 m	13 m	19 m	122 m

**ACV-STOOKOLIEBRANDERS BMV1 EN BMV2**

**Beschrijving**

Voor de uitrusting van het model Delta Performance met stookoliebrander en muur- of dakdoorvoer, hebben wij gekozen voor de allernieuwste technologie van de ACV-stookoliebrander BMV1 en BMV2. Deze zijn vervaardigd uit bestanddelen van eerste kwaliteit en combineren een goed prestatievermogen met een perfecte verbranding.

**Schema van de CO2 van de brander ACV BMV1 en BMV2**



**LEGENDE VAN DE ACV-BRANDERS BMV1 EN BMV2**

(zie afbeelding O)

1. Controlekast (relais)
2. Bescherming van de sproeierlijn
3. Verklikkerlamp
4. Elektrische aansluitstekker met 7 klemmen
5. Bevestigingsbeugel op de deur
6. Vlambuis
7. Ontstekingseenheid
8. Ontstekingskabel hoge spanning
9. Stookoliepomp
10. Aansluiting stookolieaanzuiging
11. Aansluiting terugloop stookolie (enkel circuit met terugloop)
12. Condensator van de motor
13. Motor
14. Verbindingsbuis pomp/sproeier
15. Carter van de brander
16. Regelschroef van de sproeierlijn

**FABRIEKINSTELLING VAN DE ACV-BRANDERS BMV1 EN BMV2**

Brander		FV/35	FV/50
		BMV1	BMV2
Belasting	<b>kW</b>	34.9	50
Sproeier	<b>gal/uur</b>	0.75	1.25
Sproeierhoek		60°H	60°H
Stookoliedebiet	<b>Kg/uur</b>	2.95	4.22
Pompdruk	<b>bar</b>	11.8	9.5
Rookgasindex		0 - 0.5	0 - 0.5
Luchtreductor	<b>%</b>	37	60
Luchttoevoer	<b>%</b>	90	90
Druk sproeierlijn	<b>mbar</b>	3.5 - 4	3.5 - 4
Sproeierlijn	<b>mm</b>	10	10
Gewicht	<b>Kg</b>	14.5	14.5

**OPGELET** : Regel het % van de CO2 volgens de gegevens die opgenomen zijn in het bovenstaand schema.

## VULLING VAN DE SANITAIRE KRING EN DE CV KRING *(zie afbeeldingen B, G en H)*



### BELANGRIJK

**De boiler moet eerst onder druk geplaatst worden alvorens de cv-kring te vullen.**

1. De sanitaire kring vullen en onder druk brengen.
2. De cv-kring vullen, erop lettend dat de druk van 2 bar niet overschreden wordt.
3. De boiler ontluchten in het bovenste gedeelte van de ketel
4. Na de ontluchting van de cv installatie, de druk terugbrengen op de statische druk (*hoogte*) vermeerderd met 0,5 bar; 1,5 bar = 10 m – 2 bar = 15 m.
5. De elektrische aansluiting controleren, evenals de verluchting van de stookruimte en de dichtheid van de omloop van de verbrandingsgassen.
6. De ketelthermostaat regelen tussen 60 en 90 °C.
7. De zomer/winter schakelaar op de gewenste positie instellen.
8. De hoofdschakelaar op ON zetten.
9. De toevoer van de stookolie (*en de terugloop*) controleren.
10. De nodige aftappingen, metingen en regelingen uitvoeren.

## INDIENSTSTELLING VAN DE ACV-BRANDERS BMV1 EN BMV2

Raadpleeg de handleiding die bij de ACV-branders BMV1 en BMV2 gevoegd wordt.

## AANBEVELING

ACV geeft de raad haar cv-ketels minstens één maal per jaar te reinigen. Dit onderhoud evenals de controle van de brander moeten uitgevoerd worden door een bevoegde monteur.

## ONDERHOUD VAN DE KETEL *(zie afbeelding K)*

1. De stroomtoevoer verbreken met de schakelaar op het hoofdschakelbord in de stookruimte en de toevoerkraan van de stookolie sluiten.
2. De hoofdschakelaar op het bedieningspaneel op OFF zetten.
3. Het deksel van de ketel (2) halen en het bovenste gedeelte van het reductiestuk (3) demonteren.
4. De retarders (24) van de rookgaskanalen (23) uitnemen voor onderhoud. In geval van slijtage moeten deze vervangen worden
5. De vuurhaarddeur demonteren (10)
6. De rookgaskanalen (23) borstelen.
7. De vuurhaard (18) en de brander reinigen.
8. De staat van de isolatie van de vuurhaarddeur nakijken.

## ONDERHOUD VAN DE VEILIGHEIDSELEMENTEN

- De goede werking van alle thermostaten en veiligheidselementen controleren : ketelthermostaat, limietthermostaat en manueel herinschakelbare veiligheidsthermostaat.
- De veiligheidskleppen van de cv-kring en van de sanitaire kring controleren.

## ONDERHOUD VAN DE BRANDER

Raadpleeg de handleiding die bij de ACV-branders BMV1 en BMV2 gevoegd wordt.

## LEEGLOOP VAN DE KETEL



**Het water dat uit de leegloopkraan komt, is zeer heet en kan ernstige brandwonden veroorzaken. Vermijd dat er personen in de buurt aanwezig zijn terwijl het heet water aan het weglopen is.**

### Leegloop van de cv-kring *(zie afbeelding G)*

1. De hoofdschakelaar op het bedieningspaneel op "OFF" zetten. De externe stroomtoevoer verbreken en de kraan van de stookolietoevoer sluiten.
2. De afsluitkranen (8) sluiten.
3. Een flexibele slang op de leegloopkraan (9) aansluiten.
4. De leegloopkraan openen en het warm water naar de ofloop laten vloeien.

### Leegloop van de sanitaire kring *(zie afbeelding H)*

1. De hoofdschakelaar op het bedieningspaneel op "OFF" zetten. De externe stroomtoevoer verbreken en de kraan van de stookolietoevoer sluiten.
2. De druk van de CV-kring verminderen tot de manometer nul bar aangeeft.
3. De kranen (7 en 11) sluiten.
4. De kranen (9 en 10) openen (eerst 9 en dan 10)
5. Het water naar de riolering laten weglopen.



**Om de leegloop mogelijk te maken, moet de kraan (9) zich op vloerniveau bevinden.**



GEBRUIK VAN DE KETEL



Gelieve uw systeem elk jaar door een vakman te laten onderhouden. Als de ketel intensief gebruikt wordt, kan het noodzakelijk zijn om meerdere onderhoudsbeurten per jaar te laten uitvoeren. Vraag hiervoor advies aan uw installateur.

**Starten van de brander:**  
Bij een normale werking start de brander automatisch als de temperatuur van de ketel tot onder de ingestelde waarde daalt.



Voor gelijk welke interventie aan de ketel dient de stroomtoevoer steeds onderbroken te worden aan het hoofdschakelbord dat door de electriciër in de stookruimte geïnstalleerd werd. De hoofdschakelaar op het bedieningspaneel uitschakelen.

Zich vertrouwd maken met het bedieningspaneel

(zie afbeelding B)



De gebruiker heeft geen toegang tot de interne bestanddelen van het bedieningspaneel.

**1. Regelthermostaat van 60 tot 90 °C**

Als de ketel enkel gebruikt wordt als boiler, kan de temperatuur geregeld worden tussen 60 en 90 °C. Als de ketel gebruikt is voor de bereiding van sanitair warm water en voor de cv, zal de ketel over het algemeen geregeld worden op 80 °C om optimale werkingsomstandigheden te waarborgen.

**2. Hoofdschakelaar**

Deze schakelaar laat toe om de ketel te starten en te stoppen.

**3. Zomer/winter-schakelaar**

Hiermee kan de cv-circulatiepomp gestart en stopgezet worden (als deze geïnstalleerd is).

**4. Thermometer**

Via de thermometer kan de temperatuur van de ketel in de primaire kring afgelezen worden. De temperatuur mag 90°C niet overschrijden. Als de temperatuur hoger is, moet de ketel uitgeschakeld worden en moet men de thermostaatregeling controleren. Als het defect blijft aanhouden, een techniekverwittigen.

**5. Regulatie**

Indien u hiervoor opteerde, verwijzen wij naar de bijgevoegde gebruiksinstructies.

**6. Herinschakeling van de brander**

**7. Verklikkerlamp van de brander**

**Veiligheidsklep (CV)**

Als het water uit één van de veiligheidskleppen loopt, de ketel uitschakelen en een techniekverwittigen.

Een maandelijkse controle strekt tot aanbeveling; gedurende een paar seconden de hendel van de leegloopinrichting heffen om zich van de goede werking van de veiligheidsklep te vergewissen.



In geval van een afwijking na deze korte test, de installateur verwittigen.

**Veiligheidsgroep (sanitair)**

Een maandelijkse controle strekt tot aanbeveling. Gedurende een paar seconden de hendel van het leegloopmechanisme heffen en zich van de goede werking van de veiligheidsklep vergewissen.



In geval van een afwijking na deze korte test, de installateur verwittigen.



Het water dat uit de veiligheidsklep en veiligheidsgroep loopt, kan zeer warm zijn en ernstige brandwonden veroorzaken.

### BEVEILIGING VAN DE ACV-BRANDERS BMV1 EN BMV2

---

(Zie afbeelding Q)

Als de brander niet werkt:

1. De beschermkap van de brander afnemen.
2. Als de rode lamp brandt, op de knop drukken om de brander opnieuw te doen starten.
3. Als de brander werkt, de kap terugplaatsen.



**Als de brander niet werkt, de stroomtoevoer verbreken alvorens het voorpaneel van de ketel onderbreken eraf te halen.**

4. De veiligheidsthermostaat boven op de ketel opnieuw inschakelen (zie afbeelding R).



**Wachten tot de keteltemperatuur onder de 60°C daalt. Vervolgens het voorpaneel van de ketel terug aanbrengen.**

5. Als de brander werkt, de branderkap terug monteren.
6. Bij aanhoudende storing, de installateur verwittigen.

#### **Starten van de brander**

Bij een normale werking start de brander automatisch als de temperatuur van de ketel tot onder de ingestelde waarde daalt.



**Gelieve voor de goede werking van uw systeem, jaarlijks voor het stookseizoen een onderhoudsbeurt te laten uitvoeren door een vakman.**

# REPLACEMENT PARTS / PIECES DETACHEES / WISSELSTUKKEN

EN	FR	NL	Codes
<b>Burner</b>	<b>Brûleur</b>	<b>Brander</b>	
Burner BMV1 (35 FV)	Brûleur BMV1 (35 FV)	Brander BMV1 (35 FV)	237E0014
Burner BMV2 (50 FV)	Brûleur BMV2 (50 FV)	Brander BMV2 (50 FV)	237E0016
<b>Casing</b>	<b>Jaquette</b>	<b>Mantel</b>	
Front panel	Face avant	Voorpaneel	21473397
Left panel	Face latérale gauche	Links zijpaneel	21472397
Right panel	Face latéral droite	Rechts zijpaneel	21471397
Rear panel	Face arrière	Achterpaneel	21474397
Large top cover	Grand couvercle supérieur	Groot deksel bovenaan	21475397
Small top cover	Petit couvercle supérieur	Klein deksel onderaan	21478397
Burner hood	Coiffe de la porte foyer	Kap van de vuurhaarddeur	21476397
Control panel	Tableau	Schakelpaneel	21477342
<b>Electrical control panel</b>	<b>Tableau électrique</b>	<b>Elektrisch schakelbord</b>	
Control panel + wiring	Tableau de commande + câblage	Bedieningspaneel + bekabeling	24614064
Summer/Winter selector	Interrupteur Été/Hiver	Zomer/winter-schakelaar	54766007
Jumper plug (T1 - T2)	Prise pontée (T1 - T2)	Brugstekker (T1-T2)	257F1026
<b>Accessories</b>	<b>Accessoires</b>	<b>Accessoires</b>	
Deep tube PVCC	Plonge PVCC	PVCC-buis	
Ø 19,5 mm / L. 800 mm	Ø 19,5 mm / L. 800 mm	Ø 19,5 mm / L 800 mm	49410045
Bulb for thermostat	Doigt de gant laiton	Messing voeler huls	
Ø 1/2" / L. 100 mm	Ø 1/2" / L. 100 mm	Ø 1,2" / L 100 mm	63438001
Spring clips FPL3017	Clips ressort FPL3017	Veerclips FPL3017	47405006
Baffle, Mignon DN	Chicane Mignon DN	Retarders Mignon DN	50423352
Balanced flue adapter	Adaptateur ventouse	Concentrische aansluiting	
Ø 80/125 mm	Ø 80/125 mm	Ø 80/125 mm	507F3038
Cerablanket isolation	Isolation cérablanket	Isolatie Cerablanket	51305000
Condensate collector with measuring devices	Récupération des condensats avec éléments de mesure	Meetelement met condensopvang	537D6068
Flexible Master-Neo	Flexible Master-Neo	Flexibele slang Master-Neo	
Ø 80 / L. 2 m	Ø 80 / L. 2 m	Ø 80 / L 2 m	537D6137
Control thermostat	Thermostat de réglage	Regelthermostaat	54322000
Reset thermostat	Thermostat à réarmement	Thermostaat voor de herinschakeling	54764010
Drain cock Ø 1/2"	Robinet de vidange Ø 1/2"	Leegloopkraan Ø 1/2 "	55426001
Chiney reducing joint Ø 325	Joint réduction de cheminée Ø 325	Dichting schouwreductiestuk Ø 325	557A0016
Rubber seal Ø 80	Joint caoutchouc Ø 80	Rubberen dichting Ø 80	557D2003



excellence in hot water

www.acv-world.com

#### INTERNATIONAL

**ACV international n.v**  
KERKPLEIN, 39  
B-1601 RUISBROEK - BELGIUM  
TEL.: +32 2 334 82 20  
FAX: +32 2 378 16 49  
E-MAIL: international.info@acv-world.com

#### BELGIUM

**ACV BELGIUM nv/sa**  
KERKPLEIN, 39  
B-1601 RUISBROEK-BELGIUM  
TEL.: +32 2 334 82 40  
FAX: +32 2 334 82 59  
E-MAIL: belgium.info@acv-world.com

#### CHILE

**ALBIN TROTTER Y ACV LTDA**  
SAN PABLO 3800  
QUINTA NORMAL - SANTIAGO - CHILE  
TEL.: +56 2 772 01 69  
FAX: +56 2 772 92 62/63  
E-MAIL: chile.info@acv-world.com

#### CZECH REPUBLIC

**ACV CR SPOL. s.r.o**  
NA KRECKU 365  
CR-109 04 PRAHA 10 - CZECH REPUBLIC  
TEL.: +420 2 720 83 341  
FAX: +420 2 720 83 343  
E-MAIL: ceskarepublika.info@acv-world.com

#### DEUTSCHLAND

**ACV WÄRMETECHNIK GMBH & CO KG**  
GEWERBEGEBIET GARTENSTRASSE  
D-08132 MÜLSEN OT ST. JACOB - DEUTSCHLAND  
TEL.: +49 37601 311 30  
FAX: +49 37601 311 31  
E-MAIL: deutschland.info@acv-world.com

#### ESPAÑA

**ACV ESPAÑA**  
C/DE LA TEIXIDORA, 76  
POL. IND. LES HORTES  
E-08302 MATARÓ - ESPAÑA  
TEL.: +34 93 759 54 51  
FAX: +34 93 759 34 98  
E-MAIL: spain.info@acv-world.com

#### ARGENTINA

**TECNO PRACTICA**  
ALFEREZ BOUCHARD 4857  
1605 CARAPACHAY - BUENOS AIRES  
TEL.: +54 11 47 65 33 35  
FAX: +54 11 47 65 43 07  
E-MAIL: jchas@tecnopractica.com

#### AUSTRALIA

**HUNT HEATING PTY LTD**  
10 GARDEN BOULEVARD  
3172 VICTORIA - AUSTRALIA  
TEL.: +61 3 9558 7077  
FAX: +61 3 9558 7027  
E-MAIL: enquiries@huntheat.com.au

#### BRAZIL

**SIMETAL INDUSTRIA E COMERCIO DE FERRAMENTAS LTDA**  
RUA GERSON ANDREIS 535  
95112 - 130 CAXIAS DO SUL - BRAZIL  
TEL.: +55 54 227 12 44  
FAX: +55 54 227 12 26  
E-MAIL: export@simetal.com.br

#### BULGARIA

**PROXIMUS ENGINEERING LTD**  
7 BIAL KREM STR.  
9010 VARNNA - BULGARIA  
TEL.: +359 52 500 070  
FAX: +359 52 301 131  
E-MAIL: info@proximus-bg.com

#### CHINA

**BEIJING HUADIAN HT POWER TECHNOLOGY DEVELOPMENT CO. LTD**  
ROOM B-912, TOWER B, COFCO PLAZA  
Nº. 8, JIANGUOMENNEI AVENUE  
BEIJING 100005 - PEOPLE'S REPUBLIC OF CHINA  
TEL.: +86 10 652 30 363/393 EXT 101  
FAX: +86 10 652 27 071  
E-MAIL: li.zheng@acv-world.com

#### SHANGHAI COOLTECH LTD

14/F E. CHINA MERCHANTS PLAZA  
Nº. 333 CHENGDU ROAD (N)  
200041 SHANGHAI - CHINA  
TEL.: +86 21 52 98 11 22 - 820  
FAX: +86 21 52 98 13 58  
E-MAIL: cooltech@cooltech.sh.cn

#### FRANCE

**ACV FRANCE sa**  
31, RUE AMPERE - Z.I MI - PLAINE  
F-69680 CHASSIEU - FRANCE  
TEL.: +33 4 72 47 07 76  
FAX: +33 4 72 47 08 72  
E-MAIL: france.info@acv-world.com

#### ITALIA

**ACV ITALIA**  
VIA PANA 92  
I-48018 FAENZA (RA) - ITALIA  
TEL.: +39 0546 64 61 44  
FAX: +39 0546 64 61 50  
E-MAIL: italia.info@acv-world.com

#### NEDERLAND

**ACV NEDERLAND bv**  
POSTBUS 350  
NL-2980 AJ RIDDERKERK - NEDERLAND  
TEL.: +31 180 42 10 55  
FAX: +31 180 41 58 02  
E-MAIL: nederland.info@acv-world.com

#### POLAND

**ACV POLSKA sp. z.o.o.**  
UL.WITOSA 3  
87 - 800 WŁOCŁAWEK - POLAND  
TEL.: +48 54 412 56 00  
FAX: +48 54 412 56 01  
E-MAIL: polska.info@acv-world.com

#### PORTUGAL

**BOILERNOX LDA**  
RUA OUTEIRO DO POMAR  
CASAL DO CEGO, FRACÇÃO C,  
PAVILHÃO 3 - MARRAZES  
2400-402 LEIRIA - PORTUGAL  
TEL.: +351 244 837 239/40  
FAX: +351 244 823 758  
E-MAIL: boilernox@mail.telepac.pt

#### RUSSIA

**ACV RUSSIA**  
1/9, MAL'YI KISEL'NYI  
103031 MOSCOW - RUSSIA  
TEL.: +7 095 928 48 02 / +7 095 921 89 79  
FAX: +7 095 928 08 77  
E-MAIL: russia.info@acv-world.com

#### DENMARK

**VARMEHUSET**  
FRICHSVÆJ 40 A  
8600 SILKEBORG - DENMARK  
TEL.: +45 86 82 63 55  
FAX: +45 86 82 65 03  
E-MAIL: vh@varmehuset.dk

#### ESTONIA

**TERMOMAX AS**  
TAHE 112A  
51013 TARTU - ESTONIA  
TEL.: +372 736 73 39  
FAX: +372 736 73 44  
E-MAIL: termomax@termomax.ee

#### GREECE

**ESTIAS**  
MARASLI STREET 7  
54248 THESSALONIKI - GREECE  
TEL.: +30 23 10 31 98 77 / +30 23 10 32 03 58  
FAX: +30 23 10 31 97 22  
E-MAIL: info@genikithermanseon.gr

#### ÎLE MAURICE

**SOTRATECH**  
29, RUE MELDRUM  
BEAU BASSIN - ÎLE MAURICE  
TEL.: +230 46 76 970  
FAX: +230 46 76 971  
E-MAIL: stech@intnet.mu

#### LITHUANIA

**UAB "GILIUS IR KO"**  
SAVARNORIŲ PR. 192  
3000 KAUNAS - LITHUANIA  
TEL.: +370 37 308 930  
FAX: +370 37 308 932

#### MAROC

**CASATHERM**  
PLACE EL YASSIR  
20300 CASABLANCA - MAROC  
TEL.: +212 22 40 15 23  
FAX: +212 22 24 04 86

#### SLOVAK REPUBLIC

**ACV SLOVAKIA s.r.o.**  
PLUHOVÁ 49  
831 04 BRATISLAVA - SLOVAK REPUBLIC  
TEL.: +421 2 444 62 276  
FAX: +421 2 444 62 275  
E-MAIL: slovakia.info@acv-world.com

#### SLOVENIA

**ACV D.O.O. SLOVENIA**  
OPEKARNA 22b  
1420 TRBOVLJE - SLOVENIA  
TEL.: +386 356 32 830  
FAX: +386 356 32 831  
E-MAIL: slovenia.info@acv-world.com

#### UK

**ACV UK Ltd**  
ST. DAVID'S BUSINESS PARK  
DALGETY BAY - FIFE - KY11 9PF  
TEL.: +44 1383 82 01 00  
FAX: +44 1383 82 01 80  
E-MAIL: uk.info@acv-world.com

#### USA

**TRIANGLE TUBE PHASE III**  
FREEWAY CENTER - 1 TRIANGLE LANE  
BLACKWOOD NJ 08012 - USA  
TEL.: +1 856 228 8881  
FAX: +1 856 228 3584  
E-MAIL: sales@triangletube.com

#### NEW ZEALAND

**ENERGY PRODUCTS INTERNATIONAL**  
8/10 BELFAST PLACE  
PO BOX 15058 HAMILTON - NEW ZEALAND  
TEL.: +64 7 847 27 05  
FAX: +64 7 847 42 22  
E-MAIL: pmckenzie@tycoint.com

#### ÖSTERREICH

**PROTHERM HEIZUNGSTECHNIK GmbH**  
TRAUNFURERSTRASSE 113  
4052 ANSFELDEN - ÖSTERREICH  
TEL.: +43 7229 804 82  
FAX: +43 7229 804 92  
E-MAIL: protherm@nextra.at

#### ROMANIA

**SC TRUST EURO THERM SA**  
D.N PIATRA NEAMT - ROMAN  
km 2 C.P 5 O.P 3 jud. Neamt  
5600 PIATRA NEAMT - ROMANIA  
TEL.: +40 233 20 62 06  
FAX: +40 233 20 62 00  
E-MAIL: office@eurotherm.ro

#### TUNISIE

**SO.CO.ME CHAUMAX**  
BOÎTE POSTALE N°44  
1002 TUNIS - TUNISIE  
TEL.: +216 71 78 15 91  
FAX: +216 71 78 87 31

#### UKRAINE

**UKRTEPLOSERVICE LTD**  
PR. LAGUTENKO 14  
83086 DONETSK - UKRAINE  
TEL.: +38 062 382 60 47/48  
FAX: +38 062 335 16 89